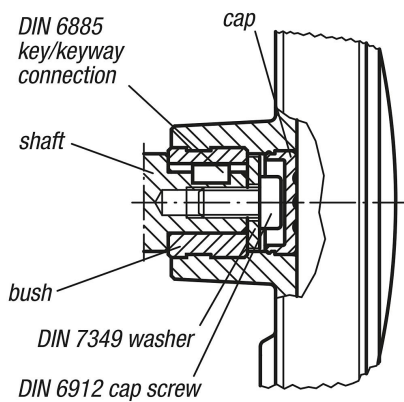


# Handwheels with revolving cylinder grip

## Item description/product images



## Description

### Material:

Handwheel body and grip thermoplastic.

Hub and grip axle steel, strength class 5.8, or stainless steel 1.4404.

### Version:

Thermoplastic black grey.

Steel parts black oxidised.

Stainless steel bright.

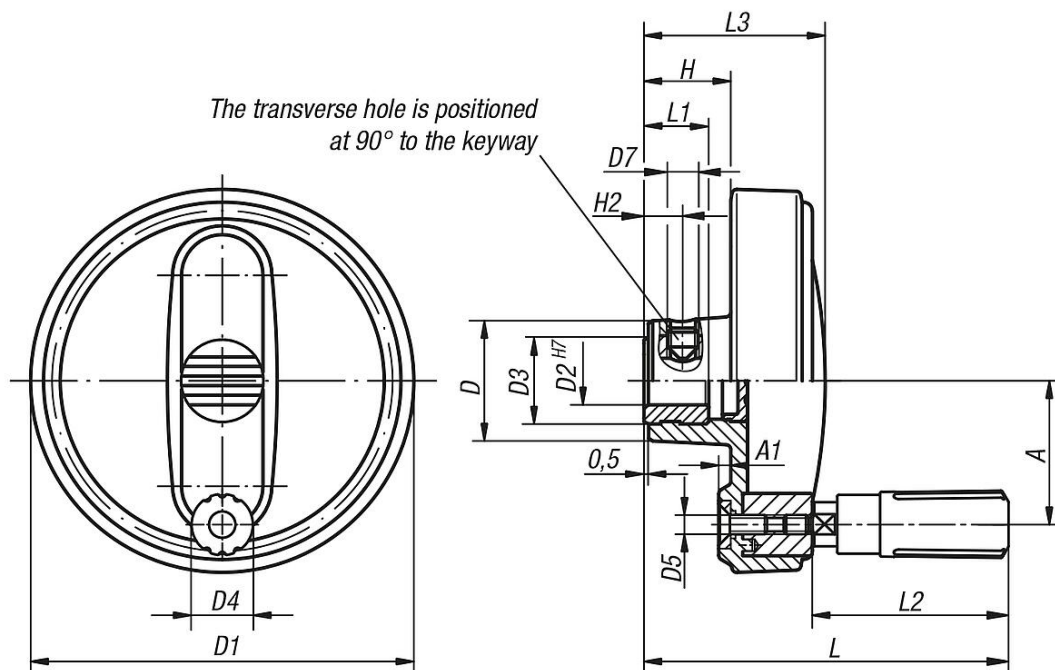
### Note:

The hub cover and the revolving cylinder grip are supplied unassembled. To assemble, screw the grip into the tapped hole.

The handwheels can be secured to a shaft using a transverse pin or by parallel key connection together with a DIN 6912 cap screw and a DIN 7349 washer.

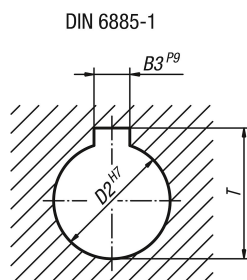
Versions with transverse bore are secured using the ISO 4027 (DIN 914) grub screw.

## Drawings



# Handwheels with revolving cylinder grip

## Drawings



## Overview of items

### Handwheels with revolving cylinder grip

Order No.	Version 1	Version 2	Component material	D	D1	D2	D3	D4	D5	D7	A	A1	H	H2	L	L1	L2	L3	B3	T
K0257.108008	reamed hole	without transverse hole	steel	25	80	8H7	19	14	M4	-	30	2,5	17,6	-	74,6	13	40	36,7	-	-
K0257.108010	reamed hole	without transverse hole	steel	25	80	10H7	19	14	M4	-	30	2,5	17,6	-	74,6	13	40	36,7	-	-
K0257.108012	reamed hole	without transverse hole	steel	25	80	12H7	19	14	M4	-	30	2,5	17,6	-	74,6	13	40	36,7	-	-
K0257.210010	reamed hole	without transverse hole	steel	28	100	10H7	19	16	M5	-	38	3	20,1	-	90,2	13	49,1	43,5	-	-
K0257.210012	reamed hole	without transverse hole	steel	28	100	12H7	19	16	M5	-	38	3	20,1	-	90,2	13	49,1	43,5	-	-
K0257.312512	reamed hole	without transverse hole	steel	35	125	12H7	25	20	M6	-	47,5	4	23,3	-	110,7	18,5	61,4	52,1	-	-
K0257.312514	reamed hole	without transverse hole	steel	35	125	14H7	25	20	M6	-	47,5	4	23,3	-	110,7	18,5	61,4	52,1	-	-
K0257.312516	reamed hole	without transverse hole	steel	35	125	16H7	25	20	M6	-	47,5	4	23,3	-	110,7	18,5	61,4	52,1	-	-
K0257.416014	reamed hole	without transverse hole	steel	45	160	14H7	25	25	M8	-	62	5,6	28	-	143	18,5	82,5	63,8	-	-
K0257.416016	reamed hole	without transverse hole	steel	45	160	16H7	25	25	M8	-	62	5,6	28	-	143	18,5	82,5	63,8	-	-
K0257.10800802	reamed hole with slot	without transverse hole	steel	25	80	8H7	19	14	M4	-	30	2,5	17,6	-	74,6	13	40	36,7	2	9
K0257.10801003	reamed hole with slot	without transverse hole	steel	25	80	10H7	19	14	M4	-	30	2,5	17,6	-	74,6	13	40	36,7	3	11,4
K0257.10801204	reamed hole with slot	without transverse hole	steel	25	80	12H7	19	14	M4	-	30	2,5	17,6	-	74,6	13	40	36,7	4	13,8
K0257.21001003	reamed hole with slot	without transverse hole	steel	28	100	10H7	19	16	M5	-	38	3	20,1	-	90,2	13	49,1	43,5	3	11,4
K0257.21001204	reamed hole with slot	without transverse hole	steel	28	100	12H7	19	16	M5	-	38	3	20,1	-	90,2	13	49,1	43,5	4	13,8
K0257.31251204	reamed hole with slot	without transverse hole	steel	35	125	12H7	25	20	M6	-	47,5	4	23,3	-	110,7	18,5	61,4	52,1	4	13,8
K0257.31251405	reamed hole with slot	without transverse hole	steel	35	125	14H7	25	20	M6	-	47,5	4	23,3	-	110,7	18,5	61,4	52,1	5	16,3
K0257.31251605	reamed hole with slot	without transverse hole	steel	35	125	16H7	25	20	M6	-	47,5	4	23,3	-	110,7	18,5	61,4	52,1	5	18,3
K0257.41601405	reamed hole with slot	without transverse hole	steel	45	160	14H7	25	25	M8	-	62	5,6	28	-	143	18,5	82,5	63,8	5	16,3
K0257.41601605	reamed hole with slot	without transverse hole	steel	45	160	16H7	25	25	M8	-	62	5,6	28	-	143	18,5	82,5	63,8	5	18,3
K0257.1080086	reamed hole	with transverse bore	steel	25	80	8H7	19	14	M4	M6	30	2,5	17,6	7,5	74,6	13	40	36,7	-	-
K0257.1080106	reamed hole	with transverse bore	steel	25	80	10H7	19	14	M4	M6	30	2,5	17,6	7,5	74,6	13	40	36,7	-	-
K0257.1080126	reamed hole	with transverse bore	steel	25	80	12H7	19	14	M4	M6	30	2,5	17,6	7,5	74,6	13	40	36,7	-	-
K0257.2100106	reamed hole	with transverse bore	steel	28	100	10H7	19	16	M5	M6	38	3	20,1	7,5	90,2	13	49,1	43,5	-	-
K0257.2100126	reamed hole	with transverse bore	steel	28	100	12H7	19	16	M5	M6	38	3	20,1	7,5	90,2	13	49,1	43,5	-	-
K0257.3125126	reamed hole	with transverse bore	steel	35	125	12H7	25	20	M6	M6	47,5	4	23,3	7,5	110,7	18,5	61,4	52,1	-	-
K0257.3125146	reamed hole	with transverse bore	steel	35	125	14H7	25	20	M6	M6	47,5	4	23,3	7,5	110,7	18,5	61,4	52,1	-	-
K0257.3125166	reamed hole	with transverse bore	steel	35	125	16H7	25	20	M6	M6	47,5	4	23,3	7,5	110,7	18,5	61,4	52,1	-	-
K0257.4160146	reamed hole	with transverse bore	steel	45	160	14H7	25	25	M8	M6	62	5,6	28	7,5	143	18,5	82,5	63,8	-	-
K0257.4160166	reamed hole	with transverse bore	steel	45	160	16H7	25	25	M8	M6	62	5,6	28	7,5	143	18,5	82,5	63,8	-	-
K0257.108008026	reamed hole with slot	with transverse bore	steel	25	80	8H7	19	14	M4	M6	30	2,5	17,6	7,5	74,6	13	40	36,7	2	9
K0257.108010036	reamed hole with slot	with transverse bore	steel	25	80	10H7	19	14	M4	M6	30	2,5	17,6	7,5	74,6	13	40	36,7	3	11,4
K0257.108012046	reamed hole with slot	with transverse bore	steel	25	80	12H7	19	14	M4	M6	30	2,5	17,6	7,5	74,6	13	40	36,7	4	13,8
K0257.210010036	reamed hole with slot	with transverse bore	steel	28	100	10H7	19	16	M5	M6	38	3	20,1	7,5	90,2	13	49,1	43,5	3	11,4
K0257.210012046	reamed hole with slot	with transverse bore	steel	28	100	12H7	19	16	M5	M6	38	3	20,1	7,5	90,2	13	49,1	43,5	4	13,8
K0257.312512046	reamed hole with slot	with transverse bore	steel	35	125	12H7	25	20	M6	M6	47,5	4	23,3	7,5	110,7	18,5	61,4	52,1	4	13,8
K0257.312514056	reamed hole with slot	with transverse bore	steel	35	125	14H7	25	20	M6	M6	47,5	4	23,3	7,5	110,7	18,5	61,4	52,1	5	16,3
K0257.312516056	reamed hole with slot	with transverse bore	steel	35	125	16H7	25	20	M6	M6	47,5	4	23,3	7,5	110,7	18,5	61,4	52,1	5	18,3
K0257.416014056	reamed hole with slot	with transverse bore	steel	45	160	14H7	25	25	M8	M6	62	5,6	28	7,5	143	18,5	82,5	63,8	5	16,3
K0257.416016056	reamed hole with slot	with transverse bore	steel	45	160	16H7	25	25	M8	M6	62	5,6	28	7,5	143	18,5	82,5	63,8	5	18,3
K0257.0108008	reamed hole	without transverse hole	stainless steel	25	80	8H7	19	14	M4	-	30	2,5	17,6	-	74,6	13	40	36,7	-	-
K0257.0108010	reamed hole	without transverse hole	stainless steel	25	80	10H7	19	14	M4	-	30	2,5	17,6	-	74,6	13	40	36,7	-	-
K0257.0108012	reamed hole	without transverse hole	stainless steel	25	80	12H7	19	14	M4	-	30	2,5	17,6	-	74,6	13	40	36,7	-	-
K0257.0210010	reamed hole	without transverse hole	stainless steel	28	100	10H7	19	16	M5	-	38	3	20,1	-	90,2	13	49,1	43,5	-	-

# Handwheels with revolving cylinder grip

## Overview of items

Order No.	Version 1	Version 2	Component material	D	D1	D2	D3	D4	D5	D7	A	A1	H	H2	L	L1	L2	L3	B3	T
K0257.0210012	reamed hole	without transverse hole	stainless steel	28	100	12H7	19	16	M5	-	38	3	20,1	-	90,2	13	49,1	43,5	-	-
K0257.0312512	reamed hole	without transverse hole	stainless steel	35	125	12H7	25	20	M6	-	47,5	4	23,3	-	110,7	18,5	61,4	52,1	-	-
K0257.0312514	reamed hole	without transverse hole	stainless steel	35	125	14H7	25	20	M6	-	47,5	4	23,3	-	110,7	18,5	61,4	52,1	-	-
K0257.0312516	reamed hole	without transverse hole	stainless steel	35	125	16H7	25	20	M6	-	47,5	4	23,3	-	110,7	18,5	61,4	52,1	-	-
K0257.0416014	reamed hole	without transverse hole	stainless steel	45	160	14H7	25	25	M8	-	62	5,6	28	-	143	18,5	82,5	63,8	-	-
K0257.0416016	reamed hole	without transverse hole	stainless steel	45	160	16H7	25	25	M8	-	62	5,6	28	-	143	18,5	82,5	63,8	-	-
K0257.010800802	reamed hole with slot	without transverse hole	stainless steel	25	80	8H7	19	14	M4	-	30	2,5	17,6	-	74,6	13	40	36,7	2	9
K0257.010801003	reamed hole with slot	without transverse hole	stainless steel	25	80	10H7	19	14	M4	-	30	2,5	17,6	-	74,6	13	40	36,7	3	11,4
K0257.010801204	reamed hole with slot	without transverse hole	stainless steel	25	80	12H7	19	14	M4	-	30	2,5	17,6	-	74,6	13	40	36,7	4	13,8
K0257.021001003	reamed hole with slot	without transverse hole	stainless steel	28	100	10H7	19	16	M5	-	38	3	20,1	-	90,2	13	49,1	43,5	3	11,4
K0257.021001204	reamed hole with slot	without transverse hole	stainless steel	28	100	12H7	19	16	M5	-	38	3	20,1	-	90,2	13	49,1	43,5	4	13,8
K0257.031251204	reamed hole with slot	without transverse hole	stainless steel	35	125	12H7	25	20	M6	-	47,5	4	23,3	-	110,7	18,5	61,4	52,1	4	13,8
K0257.031251405	reamed hole with slot	without transverse hole	stainless steel	35	125	14H7	25	20	M6	-	47,5	4	23,3	-	110,7	18,5	61,4	52,1	5	16,3
K0257.031251605	reamed hole with slot	without transverse hole	stainless steel	35	125	16H7	25	20	M6	-	47,5	4	23,3	-	110,7	18,5	61,4	52,1	5	18,3
K0257.041601405	reamed hole with slot	without transverse hole	stainless steel	45	160	14H7	25	25	M8	-	62	5,6	28	-	143	18,5	82,5	63,8	5	16,3
K0257.041601605	reamed hole with slot	without transverse hole	stainless steel	45	160	16H7	25	25	M8	-	62	5,6	28	-	143	18,5	82,5	63,8	5	18,3
K0257.01080086	reamed hole	with transverse bore	stainless steel	25	80	8H7	19	14	M4	M6	30	2,5	17,6	7,5	74,6	13	40	36,7	-	-
K0257.01080106	reamed hole	with transverse bore	stainless steel	25	80	10H7	19	14	M4	M6	30	2,5	17,6	7,5	74,6	13	40	36,7	-	-
K0257.01080126	reamed hole	with transverse bore	stainless steel	25	80	12H7	19	14	M4	M6	30	2,5	17,6	7,5	74,6	13	40	36,7	-	-
K0257.02100106	reamed hole	with transverse bore	stainless steel	28	100	10H7	19	16	M5	M6	38	3	20,1	7,5	90,2	13	49,1	43,5	-	-
K0257.02100126	reamed hole	with transverse bore	stainless steel	28	100	12H7	19	16	M5	M6	38	3	20,1	7,5	90,2	13	49,1	43,5	-	-
K0257.03125126	reamed hole	with transverse bore	stainless steel	35	125	12H7	25	20	M6	M6	47,5	4	23,3	7,5	110,7	18,5	61,4	52,1	-	-
K0257.03125146	reamed hole	with transverse bore	stainless steel	35	125	14H7	25	20	M6	M6	47,5	4	23,3	7,5	110,7	18,5	61,4	52,1	-	-
K0257.03125166	reamed hole	with transverse bore	stainless steel	35	125	16H7	25	20	M6	M6	47,5	4	23,3	7,5	110,7	18,5	61,4	52,1	-	-
K0257.04160146	reamed hole	with transverse bore	stainless steel	45	160	14H7	25	25	M8	M6	62	5,6	28	7,5	143	18,5	82,5	63,8	-	-
K0257.04160166	reamed hole	with transverse bore	stainless steel	45	160	16H7	25	25	M8	M6	62	5,6	28	7,5	143	18,5	82,5	63,8	-	-
K0257.0108008026	reamed hole with slot	with transverse bore	stainless steel	25	80	8H7	19	14	M4	M6	30	2,5	17,6	7,5	74,6	13	40	36,7	2	9
K0257.0108010036	reamed hole with slot	with transverse bore	stainless steel	25	80	10H7	19	14	M4	M6	30	2,5	17,6	7,5	74,6	13	40	36,7	3	11,4
K0257.0108012046	reamed hole with slot	with transverse bore	stainless steel	25	80	12H7	19	14	M4	M6	30	2,5	17,6	7,5	74,6	13	40	36,7	4	13,8
K0257.0210010036	reamed hole with slot	with transverse bore	stainless steel	28	100	10H7	19	16	M5	M6	38	3	20,1	7,5	90,2	13	49,1	43,5	3	11,4
K0257.0210012046	reamed hole with slot	with transverse bore	stainless steel	28	100	12H7	19	16	M5	M6	38	3	20,1	7,5	90,2	13	49,1	43,5	4	13,8
K0257.0312512046	reamed hole with slot	with transverse bore	stainless steel	35	125	12H7	25	20	M6	M6	47,5	4	23,3	7,5	110,7	18,5	61,4	52,1	4	13,8
K0257.0312514056	reamed hole with slot	with transverse bore	stainless steel	35	125	14H7	25	20	M6	M6	47,5	4	23,3	7,5	110,7	18,5	61,4	52,1	5	16,3
K0257.0312516056	reamed hole with slot	with transverse bore	stainless steel	35	125	16H7	25	20	M6	M6	47,5	4	23,3	7,5	110,7	18,5	61,4	52,1	5	18,3
K0257.0416014056	reamed hole with slot	with transverse bore	stainless steel	45	160	14H7	25	25	M8	M6	62	5,6	28	7,5	143	18,5	82,5	63,8	5	16,3
K0257.0416016056	reamed hole with slot	with transverse bore	stainless steel	45	160	16H7	25	25	M8	M6	62	5,6	28	7,5	143	18,5	82,5	63,8	5	18,3