

Support elements cylindrical

Item description/product images



Description

Material:

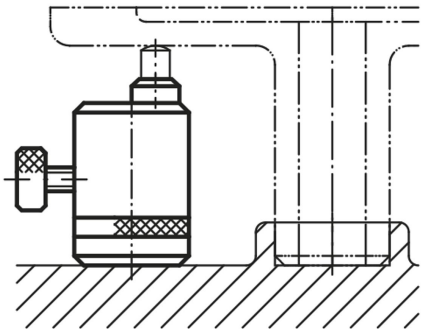
Carbon steel 1.1181.

Version:

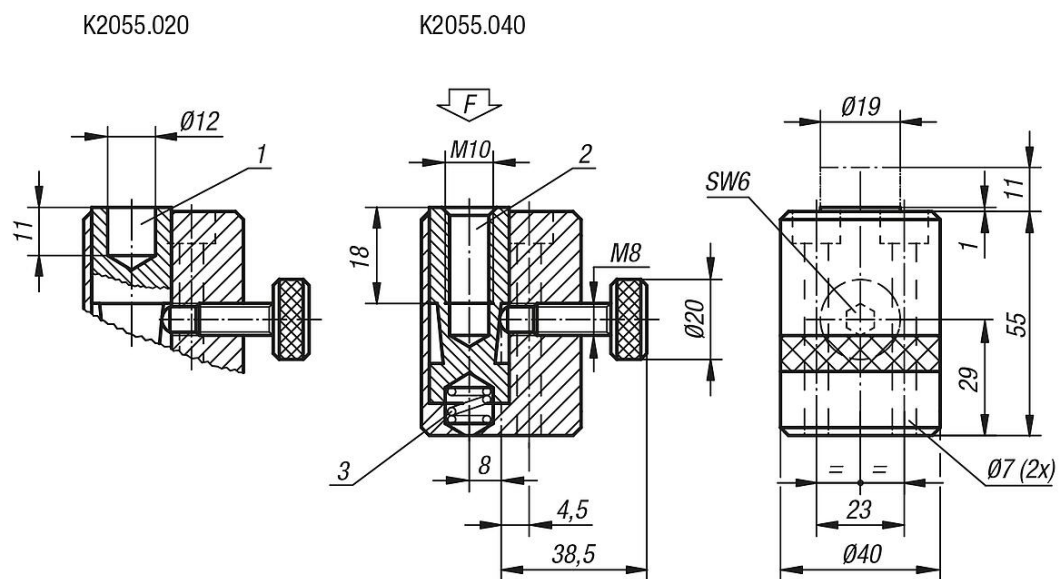
Black oxidised.

Drawing reference:

- 1) centring hole for K1961
- 2) tapped hole for: K0282.110, K0282.310, K0282.910, K0296.10, K0296.101
- 3) spring force 0.8 - 2.1 N



Drawings



Overview of items

Cylindrical Support Elements

Support elements cylindrical

Overview of items

| Order No. | F max. N |
|-----------|-------------|
| K2055.020 | 4000 |
| K2055.040 | 4000 |