

## Side clamps, Form B

### Item description/product images



### Description

#### Material:

Body QT steel.  
Tension lever QT steel.

#### Version:

Body black oxidised.  
Clamping face ground.  
Tension lever Form B black oxidised.

#### Note:

The tension lever can be user-friendly aligned horizontally and vertically in 90° increments by loosening the grub screw.

The workpiece can be clamped with a constant clamping force through the integrated surface on the Form C tension lever.

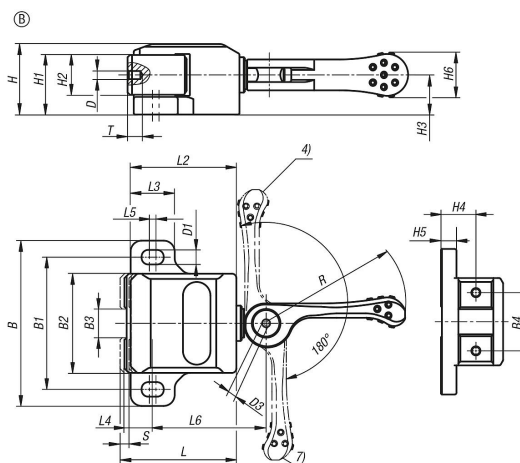
#### Advantages:

- High clamping force
- Ground clamping face
- Pull-down force prevents the workpiece lifting

#### Drawing reference:

- 1) Setscrew
- 2) Cap screw
- 3) Grub screw
- 4) Loosened position
- 5) Clamping travel
- 6) Clamping start position
- 7) Clamped position

### Drawings



### Overview of items

Order No.	Form	B	B1	B2	B3	B4	D	D1	D3	H	H1	H2	H3	H4	H5	H6
K1697.03001	B	100	80	60	20	40	M5	8,6	M5x6	40	33	22	22	22	10	24

## Side clamps, Form B

### Overview of items

Order No.	Form	B	B1	B2	B3	B4	D	D1	D3	H	H1	H2	H3	H4	H5	H6
K1697.02001	B	75	60	45	15	30	M4	6,6	M4x5	32	27	18	18	18	8	19

Order No.	Form	L	L2	L3	L4	L5	L6	R	T	Travel S	Clamping force kN	Hand force FH N
K1697.03001	B	67	63	26	17	4	67	80	8	2,2	3	200
K1697.02001	B	51	48	20	13	3	51,5	63	6	1,6	2	150