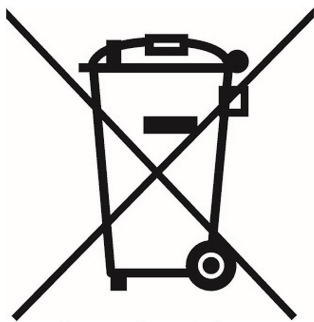


Clamp straps with force sensor

Item description/product images



for electrics



Description

Product description:

Smart products offer the added value of obtaining electronic feedback about the actuated status of various clamping and support elements.

The clamp strap with force sensor enables the force with which a workpiece is clamped to be compared with a previously defined set value. How to set the setpoint is described in the operating instructions.

If the clamp strap is connected to the Bluetooth module K1831 via the integrated USB Type-C socket, it transmits the sensor status wirelessly. The signal can then be received and processed by e.g. a Gateway K1494. In addition, the integrated LED display of the Bluetooth module indicates the status of the clamping element.

The power supply for the clamp strap is provided by the Bluetooth module, which can be replaced if necessary without reconfiguration.

Material:

QT steel.
Plug housing steel.

Version:

Hardened and black oxidised. Hardness 36–40 HRC.

Note:

The clamp strap with force sensor enables the force with which a workpiece is clamped to be compared with a previously defined set value. The operating instructions describe how to adjust the setpoint.

If the clamp strap is equipped with an universal transmitter, the force can be recorded and processed electronically.

The power supply for the clamp strap is provided by the universal transmitter, which can be replaced if necessary without reconfiguration.

The Universal transmitter K1831 can be connected to the clamp strap via USB Type-C.

A guaranteed force indication can only be ensured if clamping is carried out in the area designated for this purpose.

Technical data:

See Downloads, Technical Information.

Application:

The clamping process can be controlled with the aid of these clamp straps. Tolerance: $\pm 10\%$ of setpoint.

Temperature range:

0 °C to +65 °C.

Accessory:

Universal transmitter K1831.
Gateway K1494.

Safety:

Clamp straps with force sensor are not suitable for the protection of personnel.

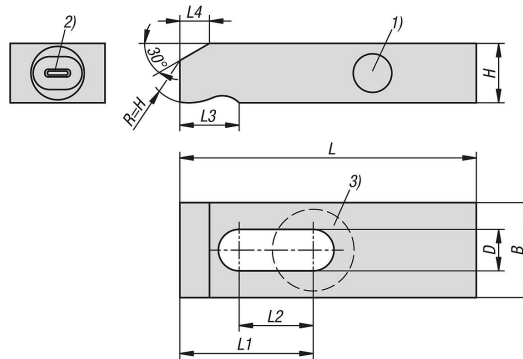
Clamp straps with force sensor

Item description/product images

Drawing reference:

- 1) Force sensor
- 2) USB type C
- 3) Preferred clamping area

Drawings



Overview of items

Clamp straps with force sensor

Order No.	B	D	H	L	L1	L2	L3	L4	for screw	F max. kN
K1824.10	30	11	20	80	36	20	16	10	M10	15
K1824.12	32	14	20	100	45	25	20	10	M12/M14	30
K1824.16	40	18	25	125	57	32	25	14	M16/M18	40