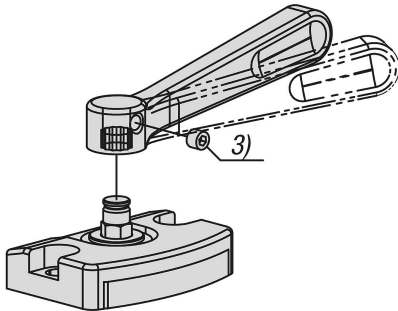


Flat clamps with cam

Item description/product images



Description

Product description:

Form A with locating pin.

Form B without locating pin.

Form C without locating pin, with tension lever.

Material:

Carbon steel.

Version:

Black oxidised.

Note:

By Form C, the tension lever can be user-friendly aligned in 30° increments by loosening the grub screw.

Assembly:

See drawing (Form A).

Advantages:

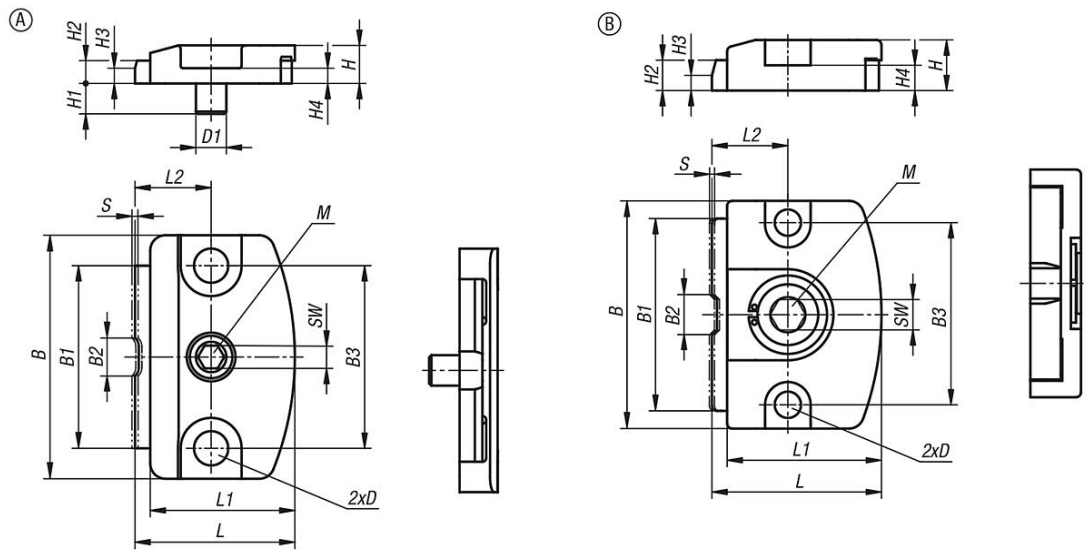
- Compact and flat design
- Quick and easy clamping of components

Drawing reference:

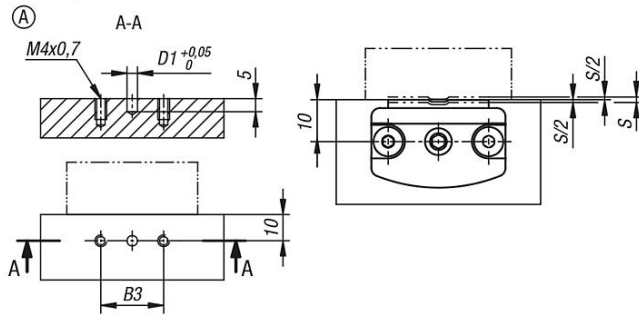
- 1) Clamping start position
- 2) Clamping end position
- 3) Grub screw

Flat clamps with cam

Drawings

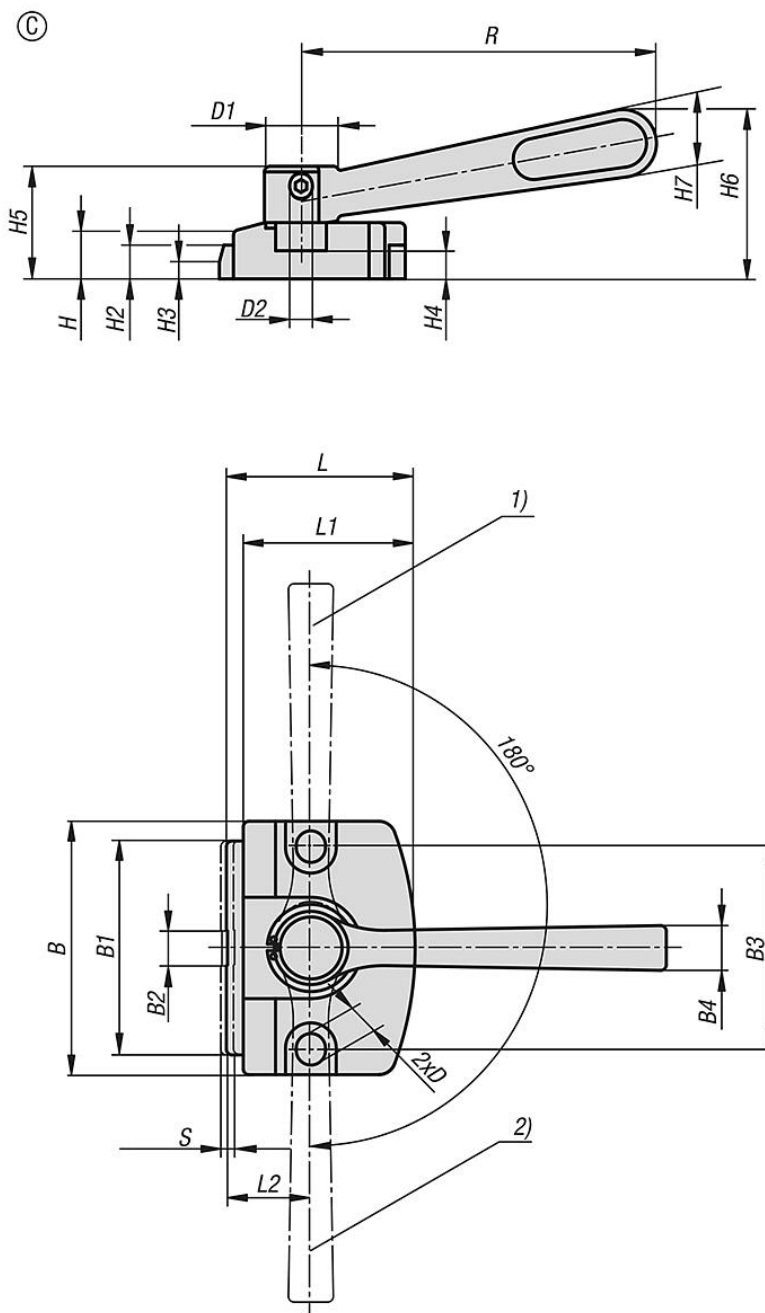


mounting instructions:



Flat clamps with cam

Drawings



Overview of items

Flat clamps with cam

| Order No. | Form | B | B1 | B2 | B3 | B4 | D | D1 | D2 | H | H1 | H2 | H3 | H4 | H5 | H6 | H7 | L | L1 | L2 | R | SW | Travel S | Clamping force kN | Hand force FH N | Tightening torque max. Nm |
|-------------|------|----|----|----|----|----|-----|----|------|----|----|----|----|----|----|----|----|------|------|----|-----|----|----------|-------------------|-----------------|---------------------------|
| K1696.00130 | A | 32 | 24 | 5 | 24 | - | 4,5 | 4 | - | 5 | 4 | 3 | 2 | 2 | - | - | - | 21 | 19 | 10 | - | 3 | 0,8 | 1,3 | - | 2,1 |
| K1696.10400 | B | 45 | 38 | 8 | 36 | - | 5,2 | - | - | 10 | - | 6 | 3 | 5 | - | - | - | 33,5 | 30,5 | 15 | - | 6 | 1 | 4 | - | 10 |
| K1696.10600 | B | 70 | 60 | 12 | 55 | - | 8,2 | - | - | 15 | - | 9 | 5 | 7 | - | - | - | 50 | 46 | 22 | - | 10 | 2 | 6 | - | 27 |
| K1696.20600 | C | 70 | 60 | 12 | 55 | 12 | 8,2 | 19 | M5x5 | 15 | - | 9 | 5 | 7 | 30 | 46 | 18 | 50 | 46 | 22 | 100 | - | 2 | 6 | 280 | - |
| K1696.20400 | C | 45 | 38 | 8 | 36 | 8 | 5,2 | 13 | M4x4 | 10 | - | 6 | 3 | 5 | 20 | 30 | 12 | 33,5 | 30,5 | 15 | 63 | - | 1 | 4 | 170 | - |

