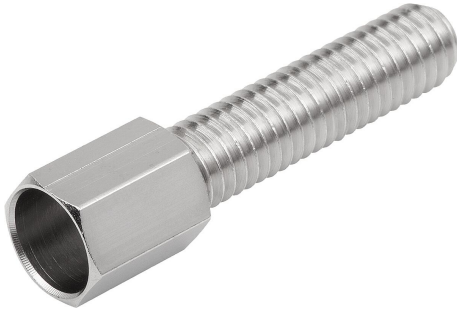


Setscrews

Item description/product images



Description

Material:

Brass.

Version:

nickel-plated.

Note:

The setscrew is a replacement part for the indexing plungers with remote actuation K1502.

Accessory:

Wire cable with ball K2023.

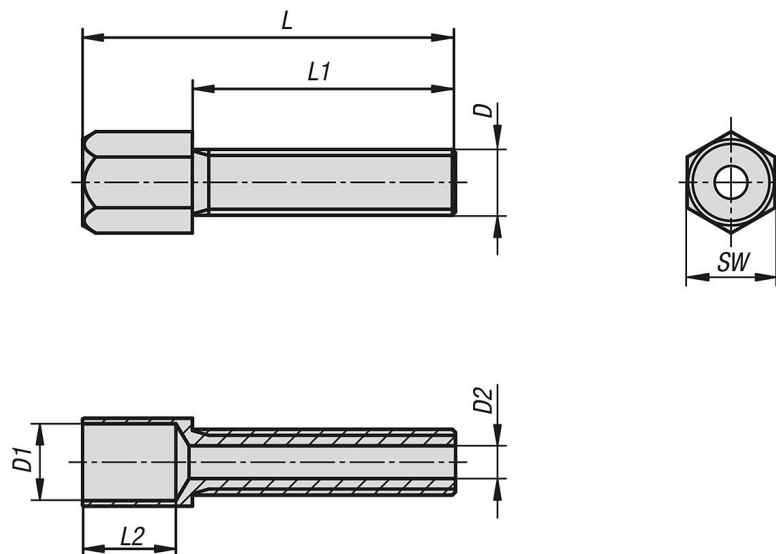
Traction sleeve with inner tube K2024.

End sleeve K2025.

Screw nipple K2027.

Hex nut K0700.

Drawings



Overview of items

Setscrews

Order No.	Main material	Surface finish body	D	D1	D2	L	L1	L2	SW
K2026.0306X24	brass	nickel-plated	M6	7	3	34	24	8,5	8