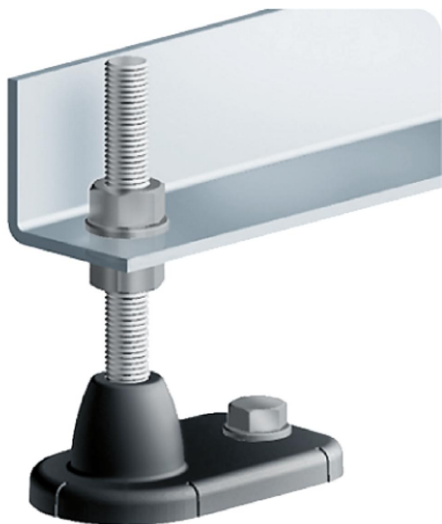
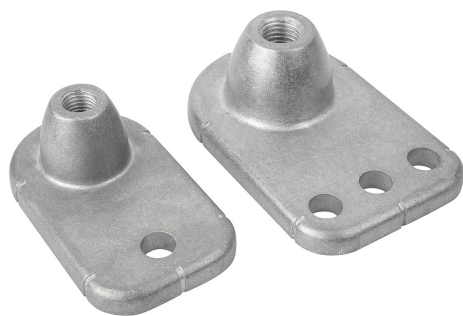


Ducks feet

Item description/product images



Description

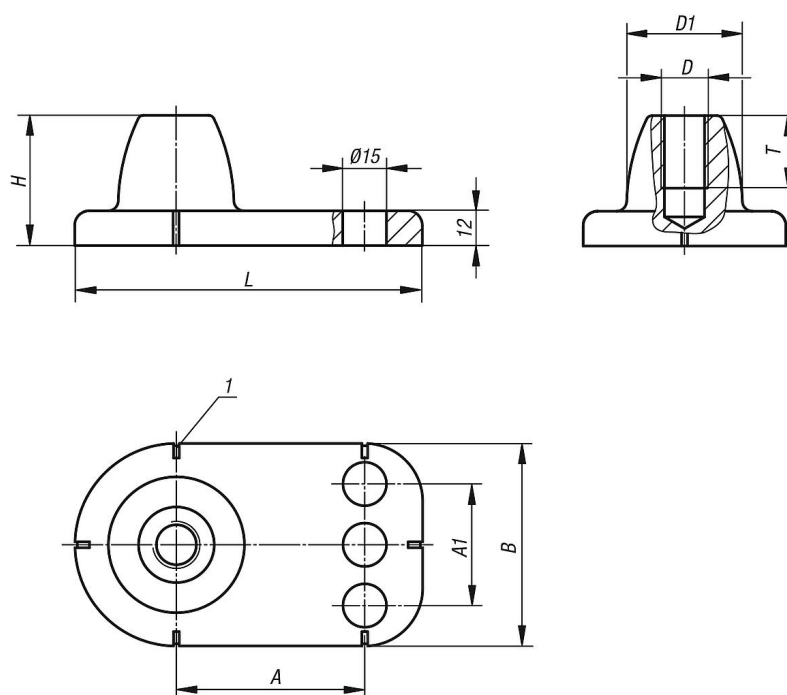
Material:
Die-cast aluminium.

Version:
Bright, vibratory ground.

Note:
Stabile levelling foot which is ideally suited for conveyor units. With aligning markings to precisely position the ducks feet.

Accessory:
Matching threaded rods K1960.

Drawings



Overview of items

Ducks feet

Overview of items

Duck Feet

Order No.	A	A1	B	D	D1	H	L	T	Load capacity N
K1937.161	65	-	70	M16	40	45	119,5	25	4000
K1937.201	75	55	90	M20	52	50	139,5	27,5	6000