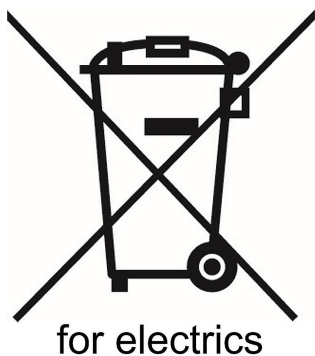


Hollow shaft sensors with magnetic scanning

Item description/product images



Description

Material:

Shaft stainless-steel.
Housing plastic.
Cable sheath PVC.

Version:

Housing black.
Flat connector, 8-pole, 1x pin.
Cable bend radius, > 17 mm (fixed).

Note:

For speeds ≤ 600 rpm.
Simple assembly for hollow shafts up to max. 20 mm.
Plug-in connection to position indicators K1905 and K1906.
The sensor is supplied with operating voltage and draws current via the electronics.
The resolution and measuring range are dependent on the electronics.

Technical data:

- Rotative sensor
- Magnetic scanning via a magnet wheel with 18 poles each 5 mm
- Rating IP 65; EN60529

Temperature range:

- Ambient temperature 0–60°C
- Storage temperature -10–70°C

Assembly:

Installation must be carried out according to the enclosed user information.

Accessory:

Position indicators K1905 and K1906.
Reducer sleeves K1927.

Note:

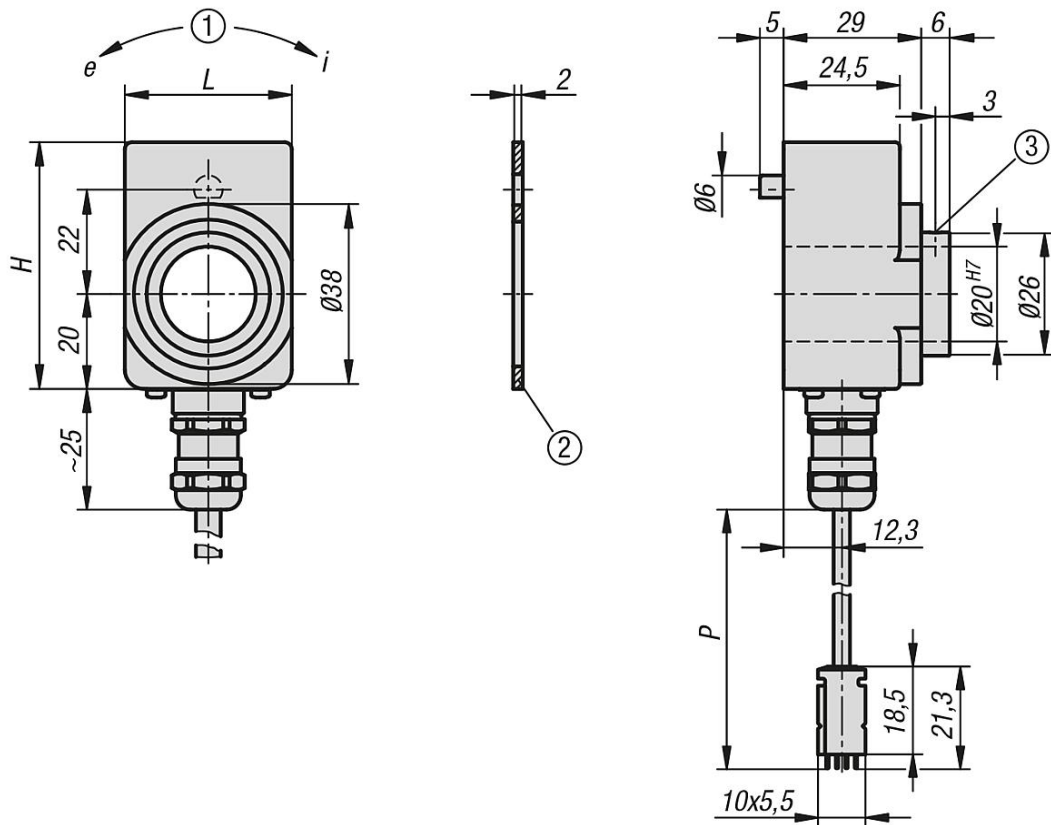
Dewing is not permissible.

Drawing reference:

- 1) Direction of rotation
- 2) Sealing plate
- 3) Grub screw, M3 (2x120)

Hollow shaft sensors with magnetic scanning

Drawings



Overview of items

Hollow shaft sensors with magnetic scanning

Order No.	H	L	P
K1926.0500	52	35,2	500
K1926.1000	52	35,2	1000
K1926.2000	52	35,2	2000