

Magnetic base for WLAN antenna

Item description/product images



for electrics



Description

Product description:

The magnetic base for WLAN antennas extends the installation range of WLAN rod antennas. For example, the antenna of the Gateway K1494 can be mounted outside the switch box, which improves signal reception.

Version:

RP-SMA socket on RP-SMA plug.

Cable length 1.5 m.

Antenna base, magnetic.

For 2.4 GHz and 5 GHz WLAN or Bluetooth.

Note:

Antenna base for WLAN rod antennas.

RP-SMA socket/plug.

Applicable for 2.4 GHz and 5 GHz WLAN products.

Strong magnet metal base.

Cable length 1.5 m.

Advantages:

- WLAN antenna base, magnetic
- RP-SMA port
- 1.5 m low-loss cable

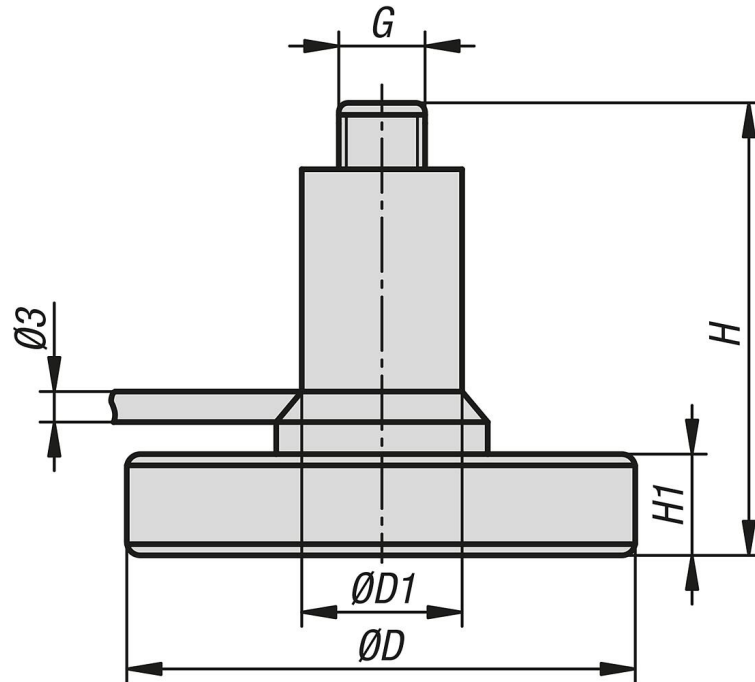
Accessory:

Gateway K1494.

Extension cable for WLAN antenna K1846.

Magnetic base for WLAN antenna

Drawings



Overview of items

Magnetic base for WLAN antenna

Order No.	Length connection cable	Connection	D	D1	G	H	H1
K1845.01	1,5	RP-SMA socket/plug	48	15	1/4-28	43,5	9,5