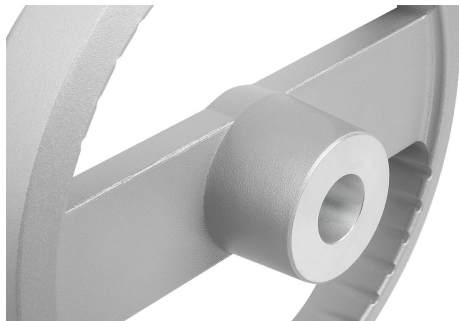
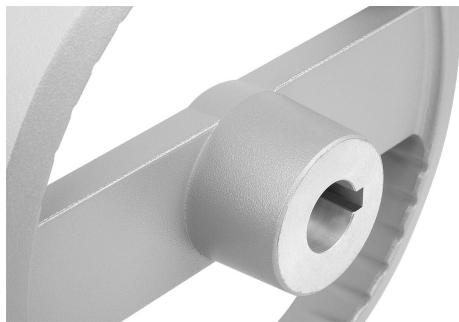
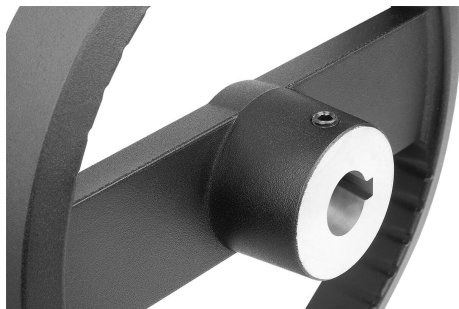
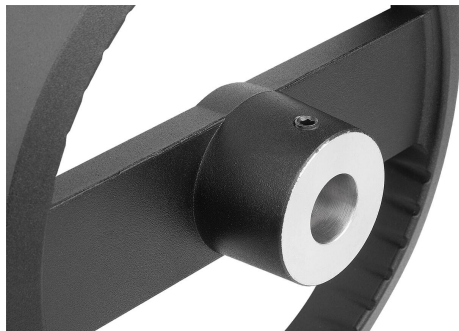


2-spoke handwheels, aluminium without grip

Item description/product images



Description

Material:

Handwheel aluminium.
Hub cover black thermoplastic.
ISO 4027 grub screw, steel grade 45 H, black.

Version:

Black or silver powder-coated.

With reamed hole.

With reamed hole and keyway.

With reamed hole and transverse bore.

With reamed hole, keyway and transverse bore.

Note:

Wheel rim radial and axial run-out ≤ 0.4 mm.

Assembly:

The hub cover is supplied unassembled.

The handwheels can be secured to a shaft using a transverse pin or by parallel key connection together with a DIN 6912 cap screw and a handwheel washer K0173.

By the versions with transverse bore, fixation is carried out using an ISO 4027 grub screw.

Supplied with:

Aluminium handwheel.

Hub cover.

ISO 4027 grub screw (type with transverse bore).

Accessory:

K0173 Handwheel washers.

K1160 Socket head screws with low head DIN 6912.

Drawing reference:

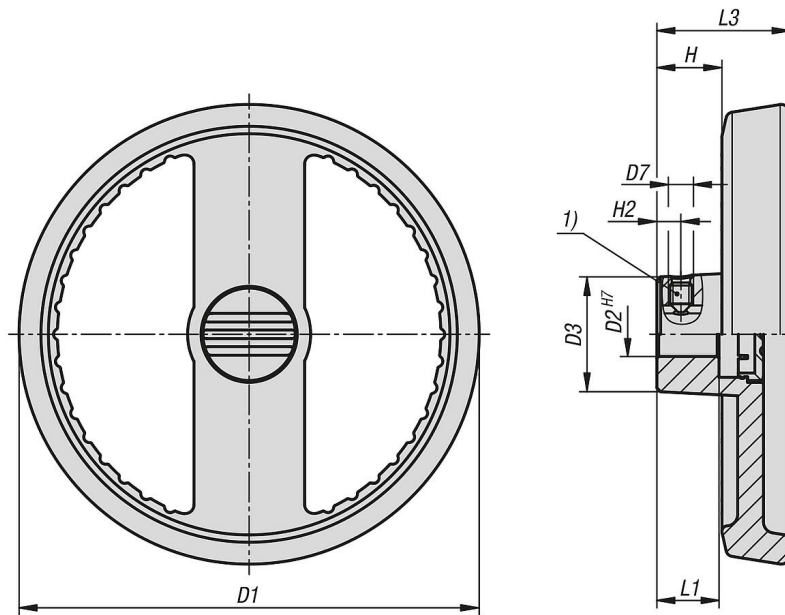
1) Position of the transverse bore to the keyway is offset by 90° .

2-spoke handwheels, aluminium without grip

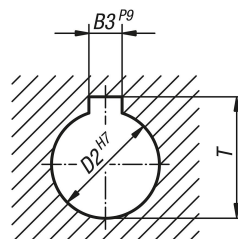
Item description/product images



Drawings



DIN 6885-1



Overview of items

2-spoke handwheels, aluminium without grip

Overview of items

2-spoke handwheels, aluminium without grip

Order No.	Main colour	Form	Form definition	D1	D2	D3	L1	L3	H	H2	D7	B3	T
K1523.1251216	black	A	reamed hole with tranverse bore	125	12	31	18	36	17,6	6,5	M6	-	-
K1523.1251416	black	A	reamed hole with tranverse bore	125	14	31	18	36	17,6	6,5	M6	-	-
K1523.1601416	black	A	reamed hole with tranverse bore	160	14	36	20	40	19,4	6,5	M6	-	-
K1523.1601616	black	A	reamed hole with tranverse bore	160	16	36	20	40	19,4	8	M6	-	-
K1523.1251226	silver	A	reamed hole with tranverse bore	125	12	31	18	36	17,6	6,5	M6	-	-
K1523.1251426	silver	A	reamed hole with tranverse bore	125	14	31	18	36	17,6	6,5	M6	-	-
K1523.1601426	silver	A	reamed hole with tranverse bore	160	14	36	20	40	19,4	6,5	M6	-	-
K1523.1601626	silver	A	reamed hole with tranverse bore	160	16	36	20	40	19,4	8	M6	-	-
K1523.125121046	black	B	reamed hole with slot, with tranverse bore	125	12	31	18	36	17,6	6,5	M6	4	13,8
K1523.125141056	black	B	reamed hole with slot, with tranverse bore	125	14	31	18	36	17,6	6,5	M6	5	16,3
K1523.160141056	black	B	reamed hole with slot, with tranverse bore	160	14	36	20	40	19,4	6,5	M6	5	16,3
K1523.160161056	black	B	reamed hole with slot, with tranverse bore	160	16	36	20	40	19,4	8	M6	5	18,3
K1523.125122046	silver	B	reamed hole with slot, with tranverse bore	125	12	31	18	36	17,6	6,5	M6	4	13,8
K1523.125142056	silver	B	reamed hole with slot, with tranverse bore	125	14	31	18	36	17,6	6,5	M6	5	16,3
K1523.160142056	silver	B	reamed hole with slot, with tranverse bore	160	14	36	20	40	19,4	6,5	M6	5	16,3
K1523.160162056	silver	B	reamed hole with slot, with tranverse bore	160	16	36	20	40	19,4	8	M6	5	18,3
K1523.12512104	black	C	reamed hole with slot	125	12	31	18	36	17,6	-	-	4	13,8
K1523.12514105	black	C	reamed hole with slot	125	14	31	18	36	17,6	-	-	5	16,3
K1523.16014105	black	C	reamed hole with slot	160	14	36	20	40	19,4	-	-	5	16,3
K1523.16016105	black	C	reamed hole with slot	160	16	36	20	40	19,4	-	-	5	18,3
K1523.12512204	silver	C	reamed hole with slot	125	12	31	18	36	17,6	-	-	4	13,8
K1523.12514205	silver	C	reamed hole with slot	125	14	31	18	36	17,6	-	-	5	16,3
K1523.16014205	silver	C	reamed hole with slot	160	14	36	20	40	19,4	-	-	5	16,3
K1523.16016205	silver	C	reamed hole with slot	160	16	36	20	40	19,4	-	-	5	18,3
K1523.125121	black	E	with reamed hole	125	12	31	18	36	17,6	-	-	-	-
K1523.125141	black	E	with reamed hole	125	14	31	18	36	17,6	-	-	-	-
K1523.160141	black	E	with reamed hole	160	14	36	20	40	19,4	-	-	-	-
K1523.160161	black	E	with reamed hole	160	16	36	20	40	19,4	-	-	-	-
K1523.125122	silver	E	with reamed hole	125	12	31	18	36	17,6	-	-	-	-
K1523.125142	silver	E	with reamed hole	125	14	31	18	36	17,6	-	-	-	-
K1523.160142	silver	E	with reamed hole	160	14	36	20	40	19,4	-	-	-	-
K1523.160162	silver	E	with reamed hole	160	16	36	20	40	19,4	-	-	-	-