

Adapters for swing clamp

Item description/product images

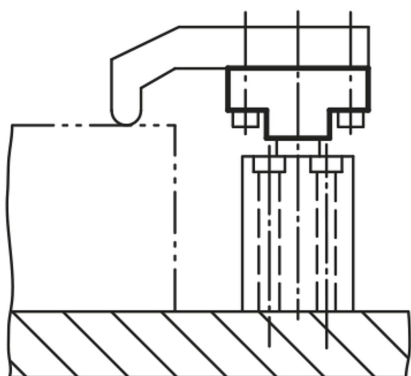


Description

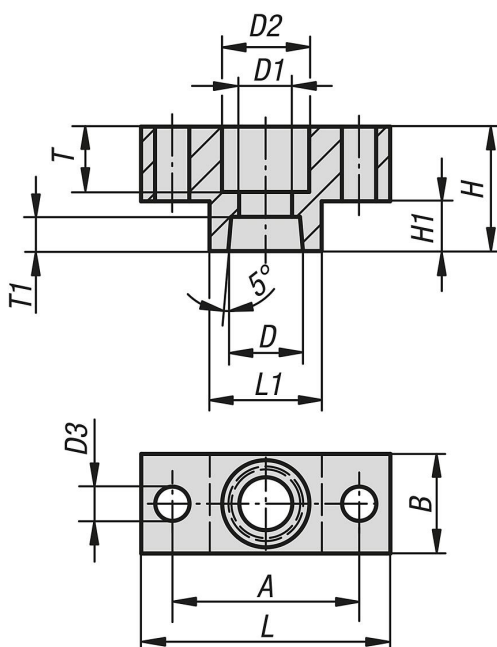
Material:
High-strength aluminium alloy

Version:
Coated with hart-coat®

Note:
Hard wearing surface, repels welding particles.
Holds matching clamping arms. Suitable for pneumatic swing clamp K1815 in respective sizes.



Drawings



Overview of items

Adapters for swing clamps

Adapters for swing clamp

Overview of items

Order No.	Size	A	B	D	D1	D2	D3	H	H1	L	L1	T	T1
K1817.1216	12/16	22	12	8	5,5	10	4,5	14	6	30	13	7	5
K1817.2000	20	30	16	12	8,5	14	5,5	20	8	40	18	10,5	5,5
K1817.2500	25	38	16	14	8,5	14	5,5	20	8	50	25	8	6,5
K1817.3240	32/40	45	19	16	8,5	14	7	25	10	60	30	11	9
K1817.5063	50/63	48	25	20	10,5	17	9	30	12	65	30	14	10