

## Clamping arm for swing clamp

### Item description/product images



### Description

**Material:**

High-strength aluminium alloy

**Version:**

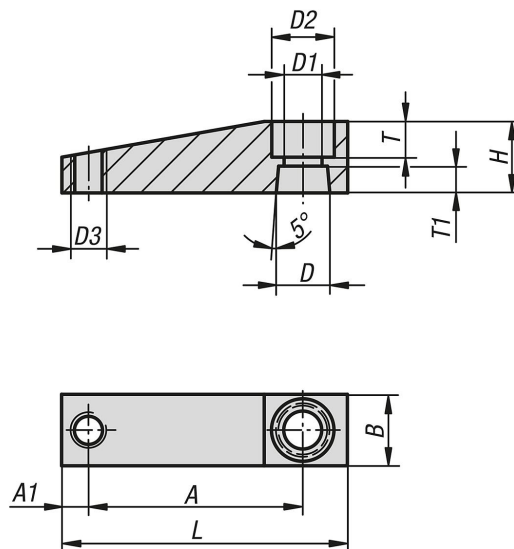
Coated with hart-coat®

**Note:**

Hard wearing surface, repels welding particles.

Suitable for pneumatic swing clamp K1815, in respective sizes.

### Drawings



### Overview of items

#### Clamping arm for swing clamp

Order No.	Size	A	A1	B	D	D1	D2	D3	H	L	T	T1
K1816.12	12	35	4	12	8	5,5	9	M4	12	45	5	5
K1816.16	16	41	4	12	8	5,5	9	M4	12	51	4	5
K1816.20	20	48	6	16	12	8,5	14	M6	16	64	8	6
K1816.25	25	50	6	16	14	9	14	M6	16	66	6	6
K1816.32	32	60	9	20	16	9	14	M8	19	81	7	9
K1816.40	40	70	9	20	16	9	14	M8	19	90	7	9
K1816.50	50	80	10	25	20	11	17	M12	25	105	9	10
K1816.63	63	90	10	25	20	11	17	M12	25	115	9	10

