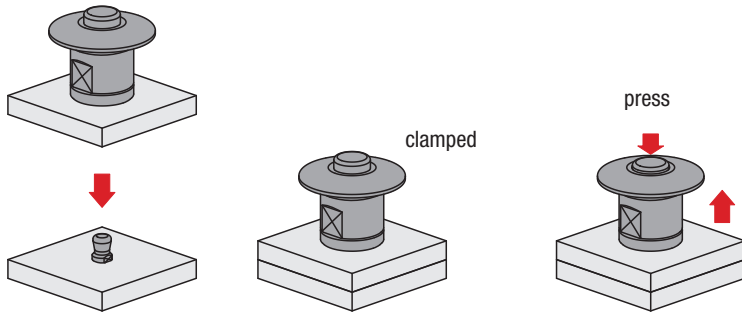


Technical Information

Push button latches K1562 and clamping pins K1564



1. Application:

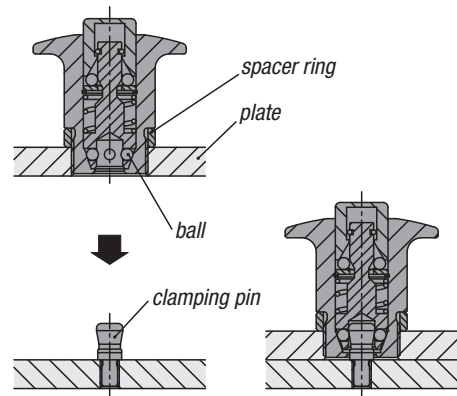


Press the latch over the clamping pin without pressing the knob. The latch is now locked.

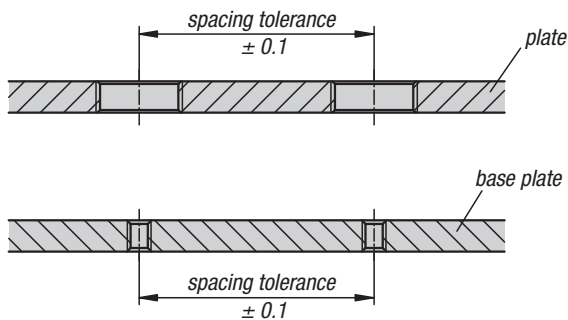
To release, press the button and pull the latch off.

2. Function:

Four balls hold the clamping pin and clamp the plates together.

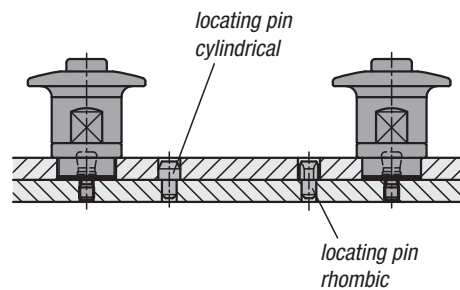


Production tolerances:



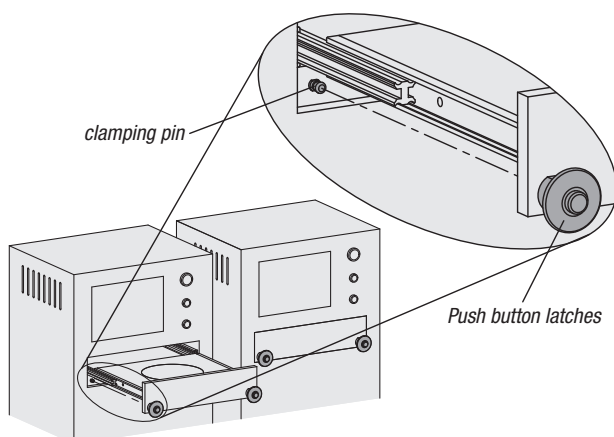
Repeat accuracy:

A higher repeat accuracy can be achieved with the aid of additional locating pins (not supplied).



Application examples:

Securing a drawer



Moving the fixture

