

Jaw plates smooth carbide-coated

Item description/product images



Description

Product description:

The smooth jaw plates are used for pull-down clamping of pre-machined and ground workpiece surfaces.

Material:

Steel.

Version:

Hardened, bright.

Laser marked scale.

Clamping surface carbide coated.

Note:

Additional product information can be found in the operating instructions.

Accessory:

Torx screws M6x10

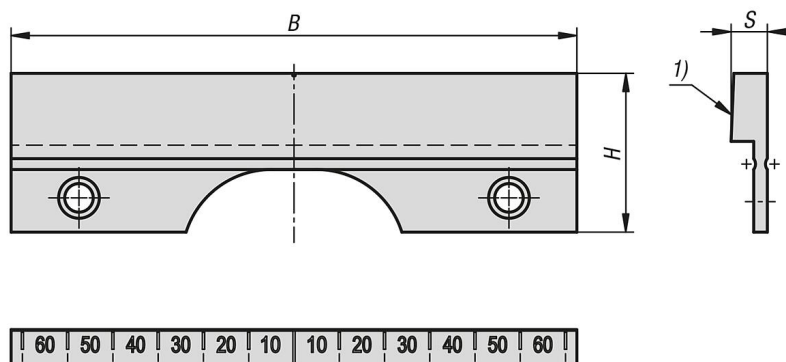
Applications:

For pre-machined and ground workpiece surfaces.

Drawing reference:

1) Clamping surface carbide coated

Drawings



Overview of items

Jaw plates smooth, carbide-coated

Order No.	B	H	S
K1557.0900	90	35	8
K1557.1250	125	35	8,5

