

## Magnets shallow pot with hook NdFeB

### Item description/product images



### Description

#### Material:

Housing and hook steel.

Magnetic core NdFeB (neodymium).

#### Version:

Housing and hook electro zinc-plated.

#### Note:

Shielded system. With the permanent magnetic material NdFeB the attractive force increases by ca. 10-20 % compared with SmCo.

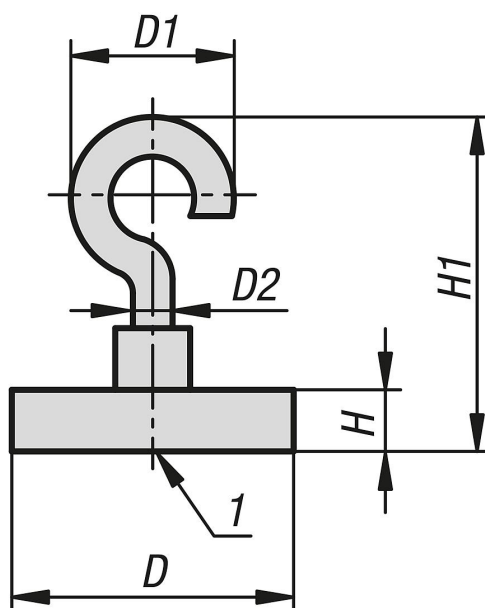
#### Temperature range:

max. 80°C.

#### Drawing reference:

1) magnetic face

### Drawings



### Overview of items

#### Magnets shallow pot with hook, NdFeB

Order No.	D	D1	D2	H	H1	Magnetic force N
K1402.10	10	10	3	4,5	24	25
K1402.13	13	10	3	4,5	24	60
K1402.16	16	13	3,5	4,5	27	95
K1402.20	20	13	3,5	6	27,5	140
K1402.25	25	13	3,5	7	28	200
K1402.32	32	18,5	4,5	7	38	350

