

## Locating cylinders pneumatic, Form B

### Item description/product images



### Description

**Material:**

Carbon steel.

**Version:**

nickel-plated.

**Note:**

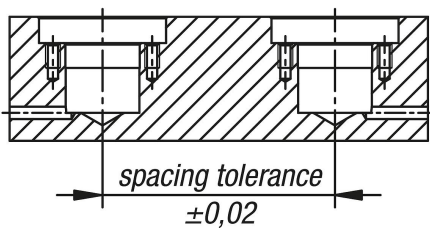
The 3 clamping balls are released by applying compressed air.

The 3 clamping balls move inward and the fixture can be quickly changed. When the air pressure is removed, the 3 clamping balls move outwards and the fixture is clamped.

This easy-to-use system significantly reduces changeover times.

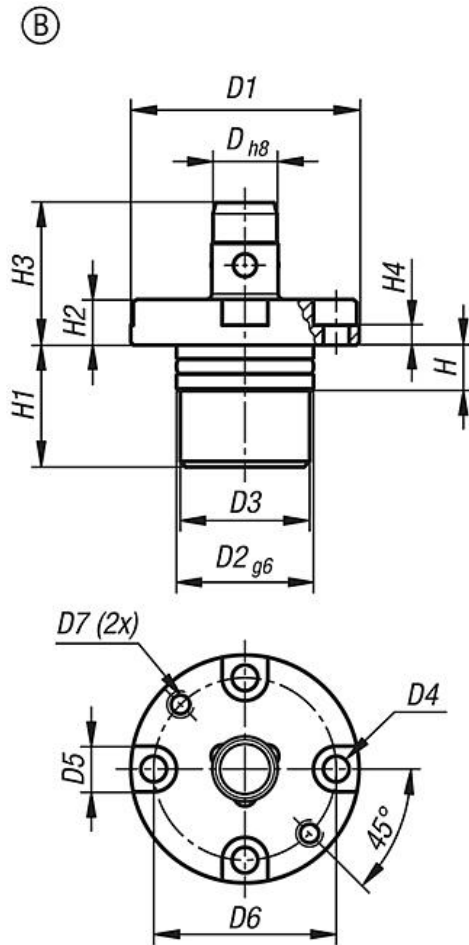
The repeat accuracy is  $\pm 0.01$  mm.

Ⓑ

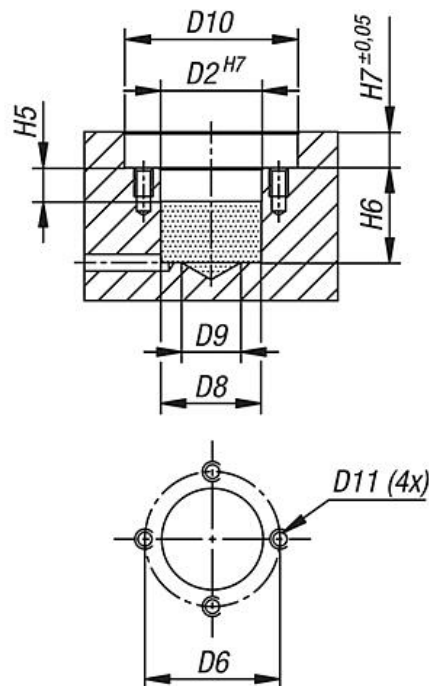


Locating cylinders pneumatic, Form B

Drawings



mounting instructions:



## Locating cylinders pneumatic, Form B

### Overview of items

Order No.	Form	D	D1	D2	D3	D4	D5	D6	D7	D8	D9	D10	D11	H	H2	H1	H3	H4	H5	H6	H7	Retaining force F1 N
K1219.212	B	12	40	24	23,4	4,5	8	32	M4	23,8	14	41	M4	8	8	24,5	25	3,5	8,5	25,5	8,5	250
K1219.216	B	16	51	32	31,4	5,5	9,5	41	M5	31,8	20	52	M5	8,5	9,5	25,5	28,5	4	9	26,5	10	350