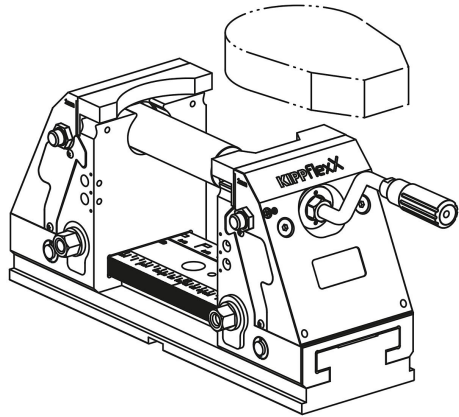


Jaw plates machinable

Item description/product images



Description

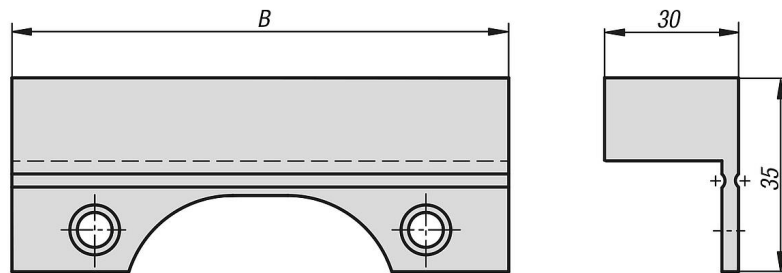
Material:
Carbon steel.

Version:
Black oxidised.

Note for ordering:
Supplied singly.

Note:
Machinable jaw plates are ideal for gripping on workpiece contours and machining in steps.

Drawings



Overview of items

Jaw plates, machinable

Order No.	B
K0975.0902	90
K0975.1252	125