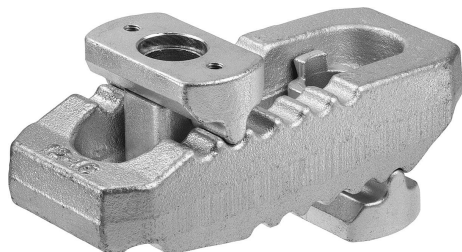


Clamp strap, adjustable, Form A

Item description/product images



Description

Material:

Steel.

Version:

Tempered and electro zinc-plated.

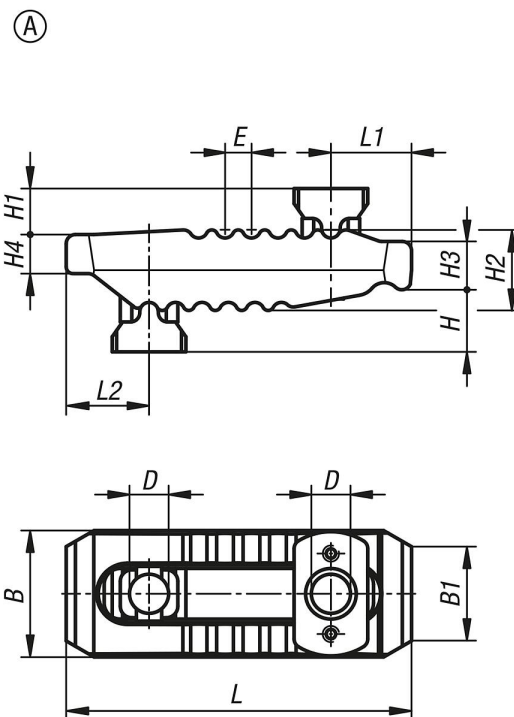
Note:

These clamp strap assemblies can be quickly and infinitely adapted to the clamping situation. The clamp straps have different heel types both sides enabling the best end to be selected depending on the specific application. These extremely versatile clamp straps are suitable for use by metal cutting or non-cutting machining and also for press and injection-moulding applications.

Accessory:

K1204 Adjustable heel supports

Drawings



Overview of items

Order No.	Form	B	B1	D	E	H clamping range	H1	H2	H3	H4	L=Length	L1	L2	Slot width	Clamping force kN
K1165.113115	A	44	30	13	11	0-55	18	27	17	12	115	25	30	10-12-14	30
K1165.117150	A	55	41	17	12	0-70	20	36	21	17	150	35	36	12-14-16-18	40
K1165.121187	A	62	30	21	14	0-80	30	42	27	20	187	44	44	16-18-20-22	60
K1165.125235	A	70	30	25	17	0-100	31	51	34	24	235	60	47	20-22-24-28	75
K1165.125285	A	73	30	25	17	0-100	35	56	35	24	285	62	51	20-22-24-28	75

