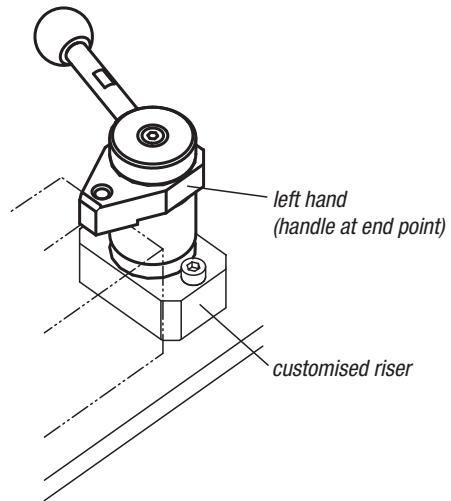
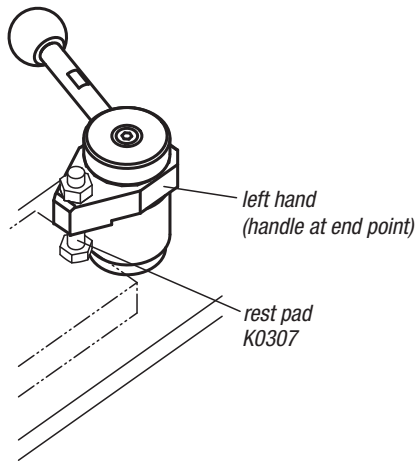
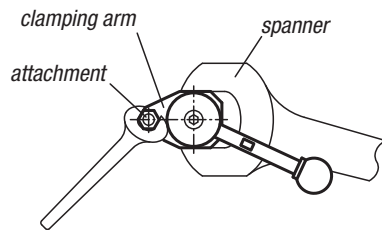


Technical Information for swing clamps



Mounting an attachment



When mounting an attachment on the clamping arm, use a spanner to lock the arm and prevent it from turning.