

Swing clamps, left-hand version

Item description/product images



Description

Material:

Carbon steel.
Ball knob plastic.

Version:

Tempered and black oxidised.
Ball knob thermoset PF 31, black.

Note:

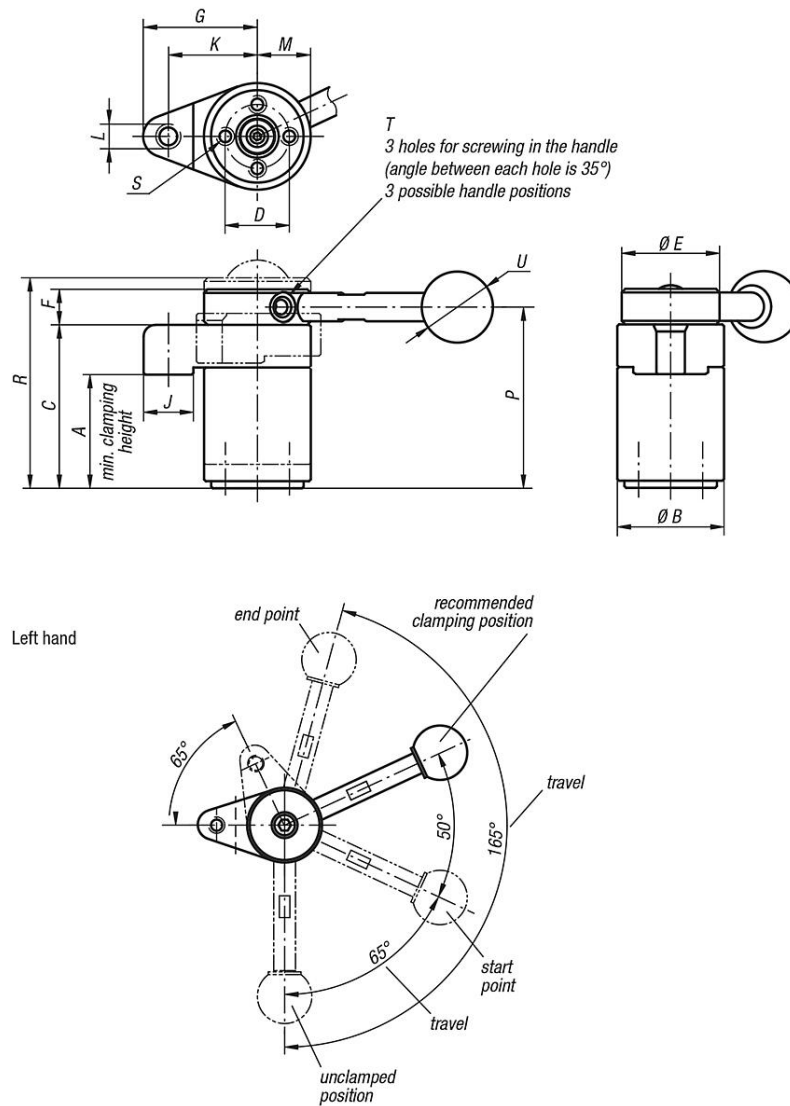
* Admissible hand force to operate the handle.

Accessory:

Standard handles K0915.
Screw-in handles with adjustable torque K0916.
Clamping arm for swing clamp K0912.03006010 and K0912.04007516.

Swing clamps, left-hand version

Drawings



Overview of items

Order No.	Version 1	Grip	A min.	A max.	B	C	D	E	F	G	J	K	L	M	N	P	R	S	T	U	V	F=Retaining force N	Hand force FH N
K0912.003232	left	without	31,4	32,6	30	46	18	30	10	32	14	25	M6	15	17	51	57,5	M4x8	M5	-	-	800	150*
K0912.004540	left	without	44,1	45,9	40	63	25	38	13	40	16	32	M8	20	22,5	69,5	78,1	M6x12	M6	-	-	1200	200*
K0912.013232	left	with handle	31,4	32,6	30	46	18	30	10	32	14	25	M6	15	17	51	57,5	M4x8	M5	20	73	800	150*
K0912.014540	left	with handle	44,1	45,9	40	63	25	38	13	40	16	32	M8	20	22,5	69,5	78,1	M6x12	M6	25	107	1200	200*