

Side clamps

Item description/product images



Description

Material:

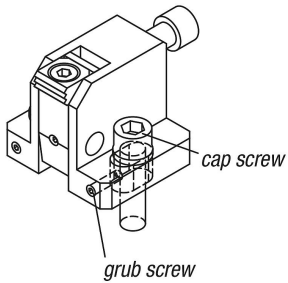
Housing and arm carbon steel.

Jaw tool steel.

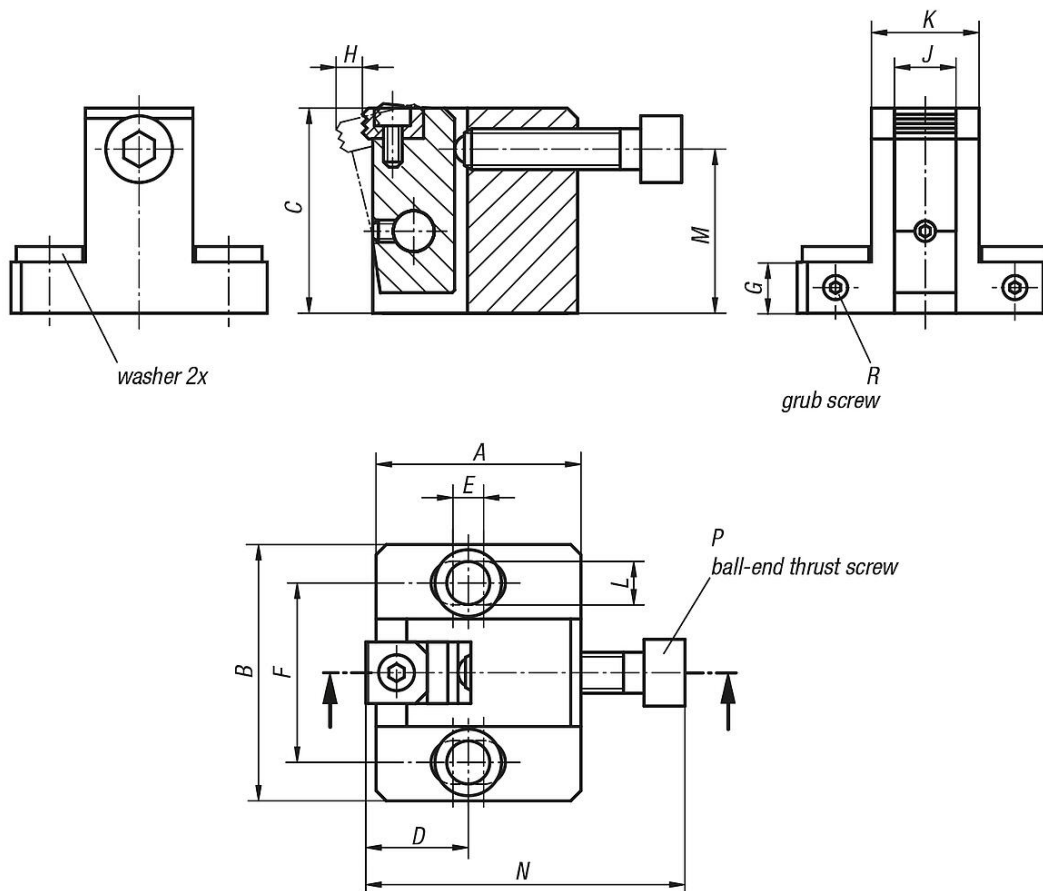
Version:

Housing, black oxidised.

Arm and jaw tempered and black oxidised.



Drawings



Overview of items

Side clamps

Order No.	A	B	C	D	E	F	G	H	J	K	L	M	N	P	R	F=Retaining force N	Tightening torque Nm
K0929.080400	40	50	40	20	6	35	10	5,3	12	21	8,5	32	62,5	M8 x 35	M4x10	15000	25
K0929.100500	50	65	50	25	8	45	12	7,1	16	27	11	40	74	M10 x 40	M4x12	27000	50
K0929.120600	60	70	60	30	10	50	15	8	20	31	13	48	91	M12 x 50	M5x15	38000	90
K0929.160800	80	90	80	40	15	65	20	10,2	25	39	17	64	115	M16 x 60	M6x20	46000	130