

## Pull clamps

### Item description/product images

---



### Description

**Material:**

Housing and cam tool steel.

Grip carbon steel.

Ball knob thermoset PF 31.

**Version:**

Housing and cam hardened and black oxidised.

Grip black oxidised.

Ball knob black.

**Note:**

\* Max. workpiece thickness see clamping pin K0910 (dimension C).

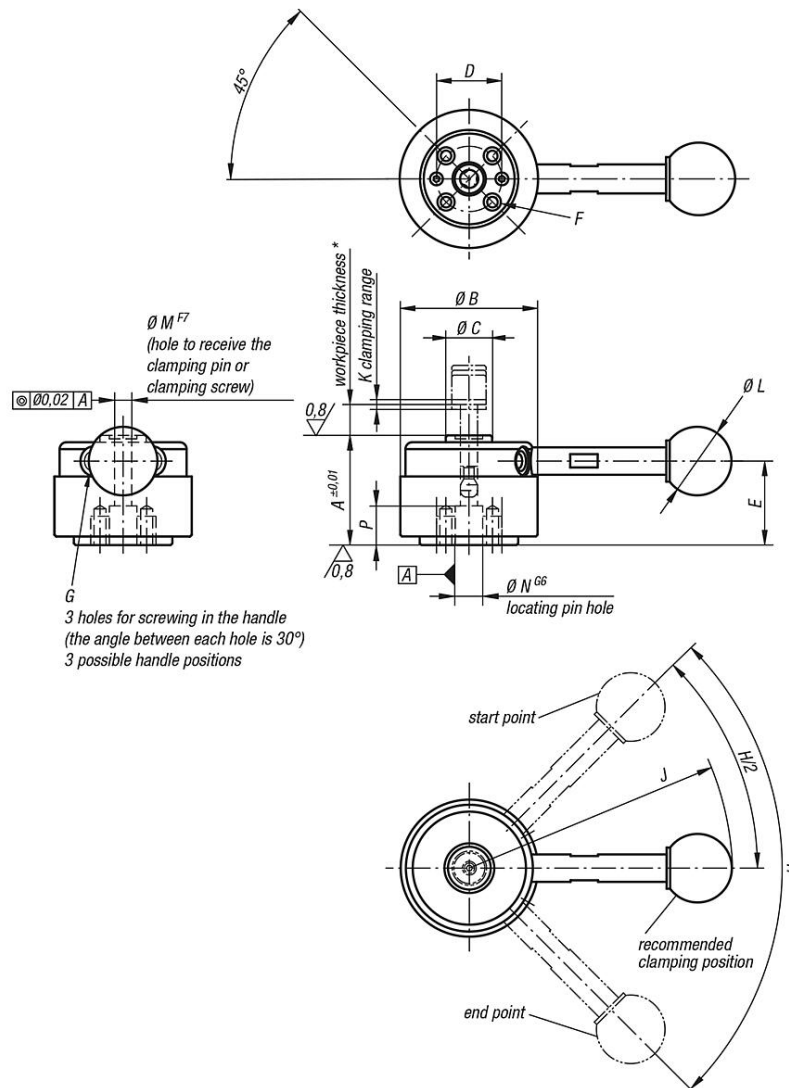
\*\* Admissible hand force for the handle.

**Accessory:**

Standard handles K0915.

Screw-in handles with adjustable torque K0916.

### Drawings



### Overview of items

#### Pull clamps

Order No.	Version 1	A	B	C	D	E	F	G	H	J	K	L	M	N	P	Clamping force N	Recommended workpiece thickness tolerance	Hand force FH N	Holding force N
K0910.324000	without grip	32	40	13,5	18	24,5	M4x8	M5	90°	-	1,5	-	5	8	10	900	±0,3*	150**	2000
K0910.324001	with grip	32	40	13,5	18	24,5	M4x8	M5	90°	76,5	1,5	20	5	8	10	900	±0,3*	150**	2000
K0910.405000	without grip	40	50	18	25	30,7	M6x9	M6	110°	-	2	-	8	12	13	2500	±0,5*	200**	5500
K0910.405001	with grip	40	50	18	25	30,7	M6x9	M6	110°	111,5	2	25	8	12	13	2500	±0,5*	200**	5500