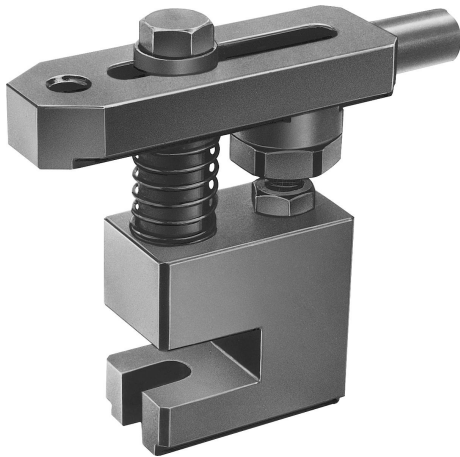


Clamping units pin-end strap

Item description/product images



Description

Material:

Carbon steel.

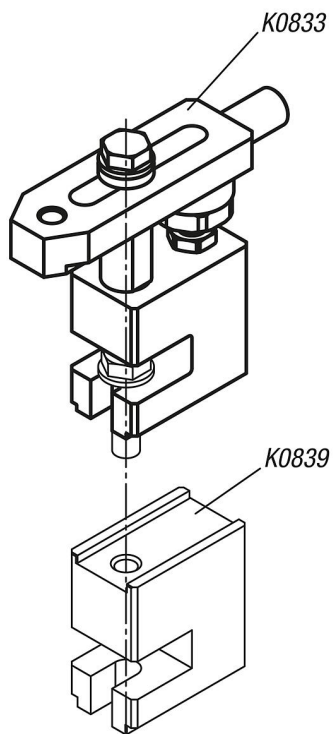
Version:

Body black oxidised.

Clamp strap and bolt tempered and black oxidised.

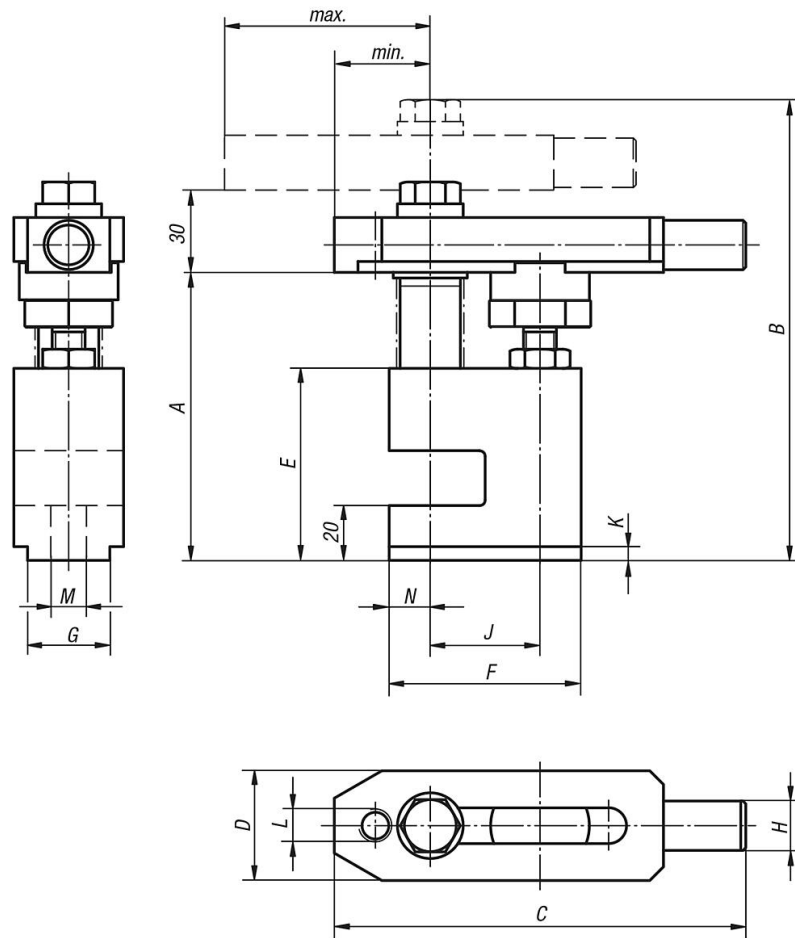
Note:

Both ends of the strap can be used for clamping workpieces. The clamps can be combined with other fixture elements, such as K0839, K0821, K0307.



Clamping units pin-end strap

Drawings



Overview of items

Clamping units, pin-end strap

Order No.	A	B	C	D	E	F	G	H	J	K	L	M	N	min.	max.
K0833.12105	105	168	150	40	70	70	30	18	40	5	M12	13	15	35	75
K0833.16110	110	188	190	50	75	90	40	24	50	5	M16	17	20	45	95