

Eccentric supports

Item description/product images

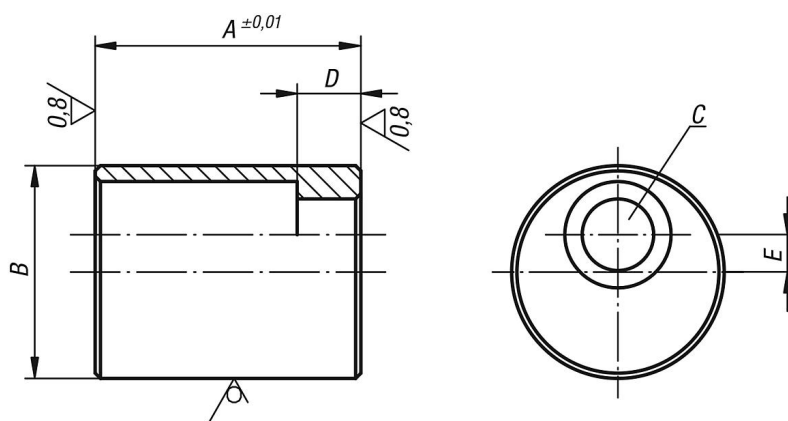


Description

Material:
Special steel alloy.

Version:
Tempered, black oxidised.
Contact faces ground.

Drawings



Overview of items

Eccentric supports

Order No.	A	B	C hole for DIN 912 cap screw	D	E
K0822.08016	16	25	M8	7	3,5
K0822.08020	20	25	M8	7	3,5
K0822.08025	25	25	M8	7	3,5
K0822.08032	32	25	M8	7	3,5
K0822.08040	40	25	M8	7	3,5
K0822.08050	50	25	M8	7	3,5
K0822.10020	20	32	M10	9	5
K0822.10025	25	32	M10	9	5
K0822.10032	32	32	M10	9	5
K0822.10040	40	32	M10	9	5
K0822.10050	50	32	M10	9	5
K0822.10063	63	32	M10	9	5
K0822.12020	20	40	M12	7	7
K0822.12025	25	40	M12	12	7
K0822.12032	32	40	M12	12	7
K0822.12040	40	40	M12	12	7
K0822.12050	50	40	M12	12	7
K0822.12063	63	40	M12	12	7
K0822.12080	80	40	M12	22	7
K0822.12100	100	40	M12	22	7
K0822.12125	125	40	M12	22	7
K0822.16025	25	50	M16	8	10

Eccentric supports

Overview of items

Order No.	A	B	C hole for DIN 912 cap screw	D	E
K0822.16032	32	50	M16	15	10
K0822.16040	40	50	M16	15	10
K0822.16050	50	50	M16	15	10
K0822.16063	63	50	M16	15	10
K0822.16080	80	50	M16	35	10
K0822.16100	100	50	M16	35	10
K0822.16125	125	50	M16	35	10