

Handwheels 2-spoke plastic

Item description/product images



Description

Material:

Handwheel, reinforced and stabilised polyamide.

Centre caps, polyamide.

Centre bushes, steel.

Version:

Handwheel, oil and grease resistant, black (RAL 9011), satin finish.

Centre caps, grey (RAL 7035).

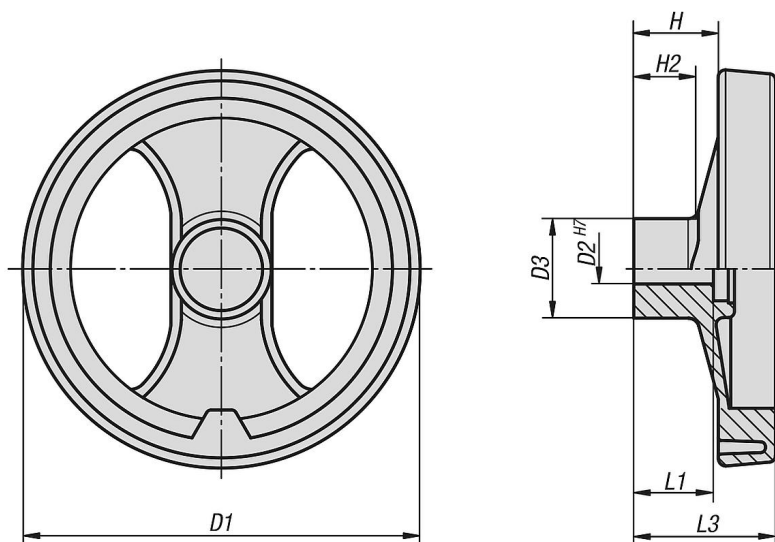
Centre bushes, black oxidised.

On request:

Other cap colours.

Special versions.

Drawings



Overview of items

Order No.	Version 1	D1	D2	D3	H	H2	L1	L3	B3	T
K0725.0080X08	reamed hole	80	8H7	24,5	20	16	20	34	-	-
K0725.0080X10	reamed hole	80	10H7	24,5	20	16	20	34	-	-
K0725.0100X10	reamed hole	99	10H7	28	25,5	20	24	42	-	-
K0725.0100X12	reamed hole	99	12H7	28	25,5	20	24	42	-	-
K0725.0130X12	reamed hole	129	12H7	32	30	21	24	50	-	-
K0725.0130X14	reamed hole	129	14H7	32	30	21	24	50	-	-
K0725.0160X14	reamed hole	159	14H7	40	33	22	32	57	-	-
K0725.0160X16	reamed hole	159	16H7	40	33	22	32	57	-	-
K0725.0200X16	reamed hole	198	16H7	51	31	17,5	32	60	-	-
K0725.0200X20	reamed hole	198	20H7	51	31	17,5	32	60	-	-
K0725.0250X20	reamed hole	252	20H7	55,5	39,5	24	36	71	-	-
K0725.0250X24	reamed hole	252	24H7	55,5	39,5	24	36	71	-	-
K0725.0345X20	reamed hole	346	20H7	67,5	42	24	32	79	-	-
K0725.1080X08	reamed hole with slot	80	8H7	24,5	20	16	20	34	2	9
K0725.1080X10	reamed hole with slot	80	10H7	24,5	20	16	20	34	3	11,4
K0725.1100X10	reamed hole with slot	99	10H7	28	25,5	20	24	42	3	11,4
K0725.1100X12	reamed hole with slot	99	12H7	28	25,5	20	24	42	4	13,8

Handwheels 2-spoke plastic

Overview of items

Order No.	Version 1	D1	D2	D3	H	H2	L1	L3	B3	T
K0725.1130X12	reamed hole with slot	129	12H7	32	30	21	24	50	4	13,8
K0725.1130X14	reamed hole with slot	129	14H7	32	30	21	24	50	5	16,3
K0725.1160X14	reamed hole with slot	159	14H7	40	33	22	32	57	5	16,3
K0725.1160X16	reamed hole with slot	159	16H7	40	33	22	32	57	5	18,3
K0725.1200X16	reamed hole with slot	198	16H7	51	31	17,5	32	60	5	18,3
K0725.1200X20	reamed hole with slot	198	20H7	51	31	17,5	32	60	6	22,8
K0725.1250X20	reamed hole with slot	252	20H7	55,5	39,5	24	36	71	6	22,8
K0725.1250X24	reamed hole with slot	252	24H7	55,5	39,5	24	36	71	8	27,3
K0725.1345X20	reamed hole with slot	346	20H7	67,5	42	24	32	79	6	22,8