

Lateral spring plungers without seal

Item description/product images



Description

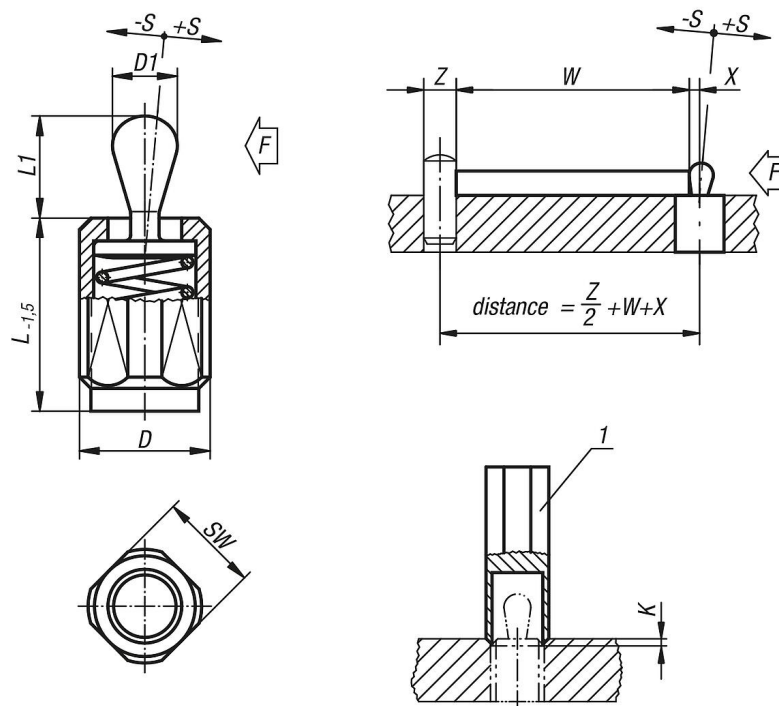
Material:
Steel.

Version:
Thrust pin steel, hardened and electro zinc-plated.
Sleeve blue electro zinc-plated.

Note:
Lateral spring plungers with threaded sleeve can be individually adjusted to suit the part being held. The threaded sleeve is also suitable for screwing into thin sheet metal as it can be fastened with one or two nuts. W and Z are customer specified.

Drawing reference:
1) assembly tool

Drawings



Lateral spring plungers without seal

Overview of items

Order No.	D	D1	K	L	L1	±S	SW	X	F ca.N	Order No. assembly tool
K0371.1020X12	M12	5	2x60°	11,5	6,7	0,8	10	1,6	20	K0371.06
K0371.1020X20	M12	5	2x60°	19	6,7	0,8	10	1,6	20	K0371.06
K0371.1020X27	M12	5	2x60°	26,5	6,7	0,8	10	1,6	20	K0371.06
K0371.1050X12	M12	5	2x60°	11,5	6,7	0,8	10	1,6	50	K0371.06
K0371.1050X20	M12	5	2x60°	19	6,7	0,8	10	1,6	50	K0371.06
K0371.1050X27	M12	5	2x60°	26,5	6,7	0,8	10	1,6	50	K0371.06
K0371.1100X12	M12	5	2x60°	11,5	6,7	0,8	10	1,6	100	K0371.06
K0371.1100X20	M12	5	2x60°	19	6,7	0,8	10	1,6	100	K0371.06
K0371.1100X27	M12	5	2x60°	26,5	6,7	0,8	10	1,6	100	K0371.06
K0371.1040X12	M12	6	2x60°	11,5	10,7	1	10	1,8	40	K0371.06
K0371.1040X20	M12	6	2x60°	19	10,7	1	10	1,8	40	K0371.06
K0371.1040X27	M12	6	2x60°	26,5	10,7	1	10	1,8	40	K0371.06
K0371.1075X12	M12	6	2x60°	11,5	10,7	1	10	1,8	75	K0371.06
K0371.1075X20	M12	6	2x60°	19	10,7	1	10	1,8	75	K0371.06
K0371.1075X27	M12	6	2x60°	26,5	10,7	1	10	1,8	75	K0371.06
K0371.1150X12	M12	6	2x60°	11,5	10,7	1	10	1,8	100	K0371.06
K0371.1150X20	M12	6	2x60°	19	10,7	1	10	1,8	100	K0371.06
K0371.1150X27	M12	6	2x60°	26,5	10,7	1	10	1,8	100	K0371.06
K0371.1100X16	M18X1,5	10	2,5x60°	18	16,7	1,6	16	3,2	100	K0371.10
K0371.1100X29	M18X1,5	10	2,5x60°	31,5	16,7	1,6	16	3,2	100	K0371.10
K0371.1100X43	M18X1,5	10	2,5x60°	45	16,7	1,6	16	3,2	100	K0371.10
K0371.1200X16	M18X1,5	10	2,5x60°	18	16,7	1,6	16	3,2	150	K0371.10
K0371.1200X29	M18X1,5	10	2,5x60°	31,5	16,7	1,6	16	3,2	150	K0371.10
K0371.1200X43	M18X1,5	10	2,5x60°	45	16,7	1,6	16	3,2	150	K0371.10
K0371.1300X16	M18X1,5	10	2,5x60°	18	16,7	1,6	16	3,2	200	K0371.10
K0371.1300X29	M18X1,5	10	2,5x60°	31,5	16,7	1,6	16	3,2	200	K0371.10
K0371.1300X43	M18X1,5	10	2,5x60°	45	16,7	1,6	16	3,2	200	K0371.10