

Bushes tapered

Item description/product images



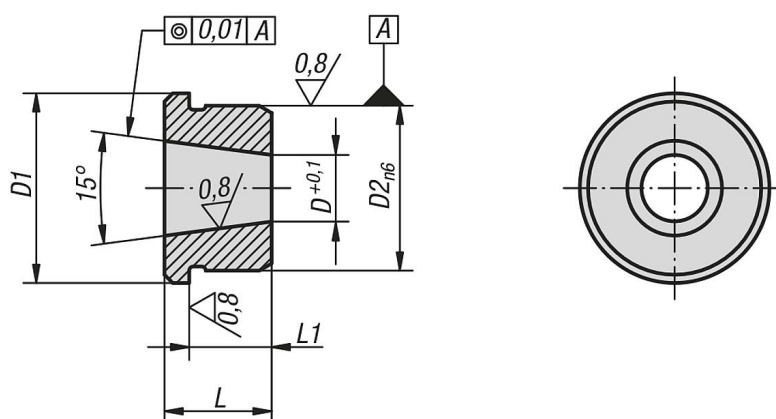
Description

Material:
Steel.

Version:
Hardened and ground.

Note:
Bushes for precision indexing plungers K0359.

Drawings



Overview of items

Tapered bushes

Order No.	D	D1	D2	L	L1
K0360.10	7,1	19	16	11	8,5
K0360.12	8,28	23	20	13	10
K0360.16	11,52	28	25	17	14
K0360.20	15,49	33	30	16	13
K0360.25	19,7	42	38	19	16