

## Rest pads

### Item description/product images

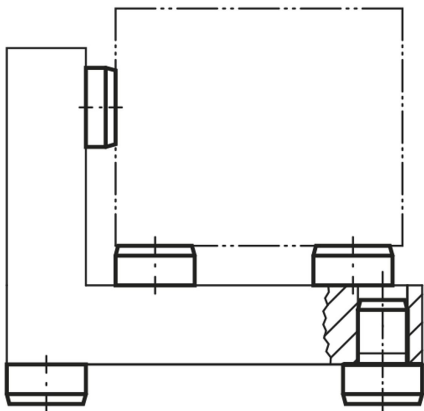


### Description

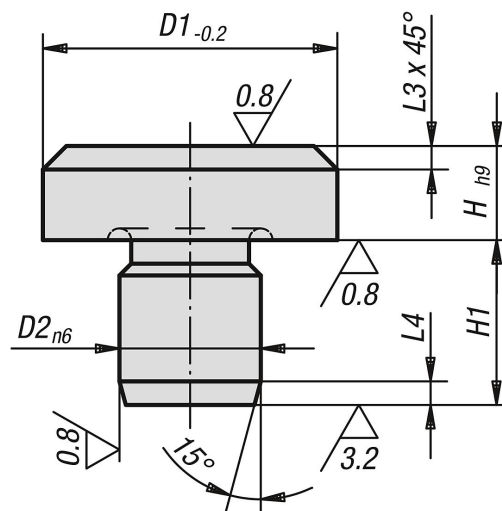
**Material:**  
Tool steel.

**Version:**  
Hardened and ground.  
Top face without centerbore.

**Note:**  
If more than one rest pad is used, the support height can be reground. Rest pads can also be used as feet for jigs and fixtures.



### Drawings



### Overview of items

#### Rest pads

Order No.	D1	D2	H	H1	L3	L4
K0292.041	6	4	2,5	6,5	0,7	1,2
K0292.042	6	4	4,5	8,5	0,7	1,2
K0292.04	6	4	5	6	0,7	1,2
K0292.061	10	6	4,5	8,5	0,9	1,5

## Rest pads

### Overview of items

Order No.	D1	D2	H	H1	L3	L4
K0292.06	10	6	8	8,5	0,9	1,5
K0292.08	16	8	5	10	2	2
K0292.081	16	8	13	10	2	2
K0292.10	20	10	6	12	2	2
K0292.101	20	10	12	12	2	2
K0292.12	25	12	8	14	2	2
K0292.122	25	12	20	14	2	2
K0292.123	25	12	30	14	2	2
K0292.16	30	16	25	20	2,5	2,5
K0292.164	30	16	40	20	2,5	2,5
K0292.165	30	16	50	20	2,5	2,5
K0292.166	30	16	65	20	2,5	2,5
K0292.20	30	20	80	20	2,5	2,5
K0292.201	30	20	100	20	2,5	2,5
K0292.202	40	20	13	20	3,2	3,2
K0292.203	40	20	32	20	3,2	3,2