

## Draw-down jaws

### Item description/product images



### Description

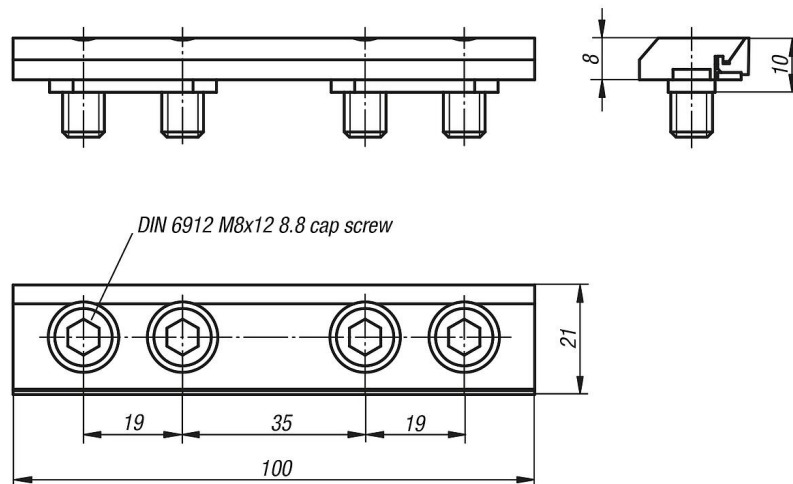
**Material:**  
Special steel.

**Version:**  
Bright.

**Note:**  
Positive down jaw plates for clamping pre-machined workpieces.  
Suitable for all 3-axis and 5-axis vices.

Supplied in pairs.

### Drawings



### Overview of items

#### Draw-down jaws

Order No.	Suitable for
K0953.110008	All 3-axis and 5-axis clamping systems