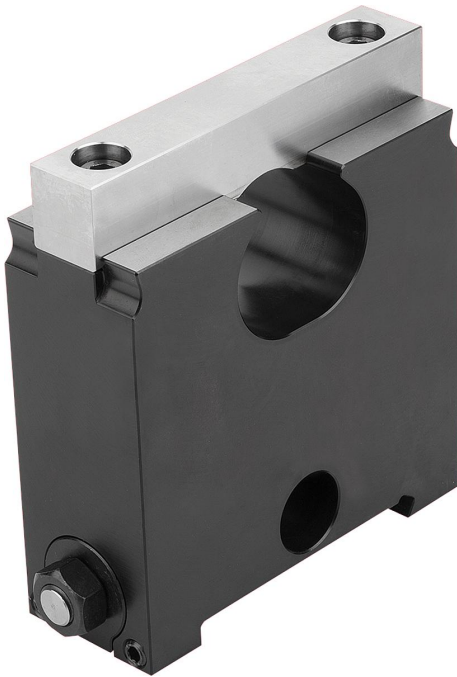


Centre jaws 5-axis clamping system compact

Item description/product images



Description

Material:

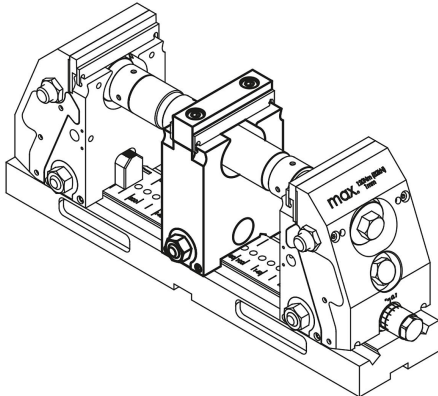
Body mild steel.
Jaw plates tool steel.

Version:

Body black oxidised.
Vice jaws hardened, bright.

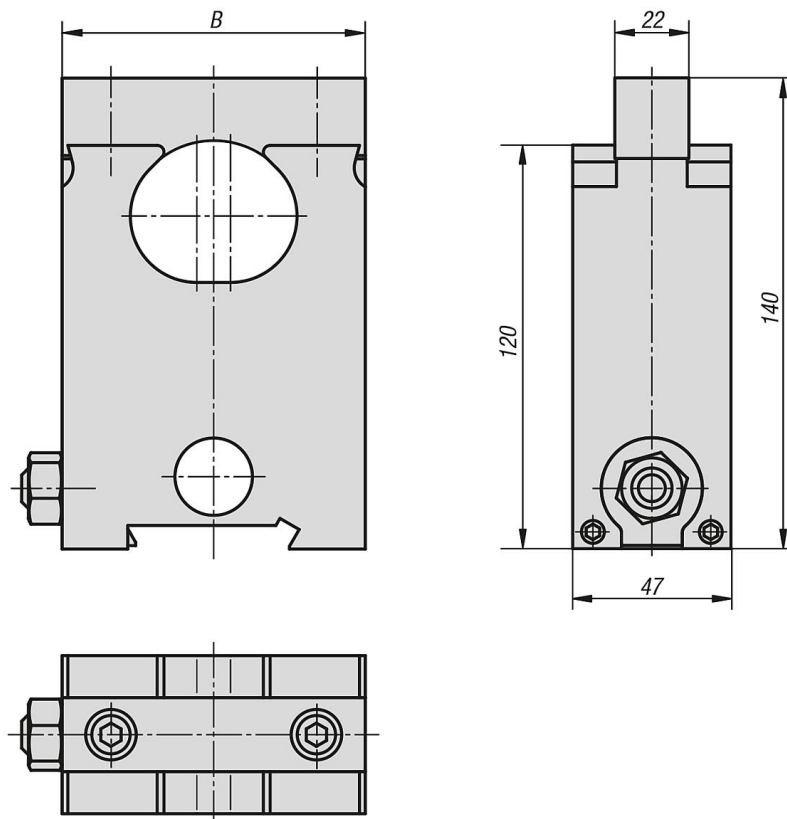
Note:

Centre jaws are used to clamp 2 workpieces simultaneously.
The centre jaws can be moved to suit the size of the workpiece. 2 different sized workpiece can be clamped.



Centre jaws 5-axis clamping system compact

Drawings



Overview of items

Centre jaws, 5-axis clamping system compact

Order No.	B	weight kg
K0987.0901500	90	3,38
K0987.1251500	125	5,1