

Base plates 5-axis clamping system compact

Item description/product images



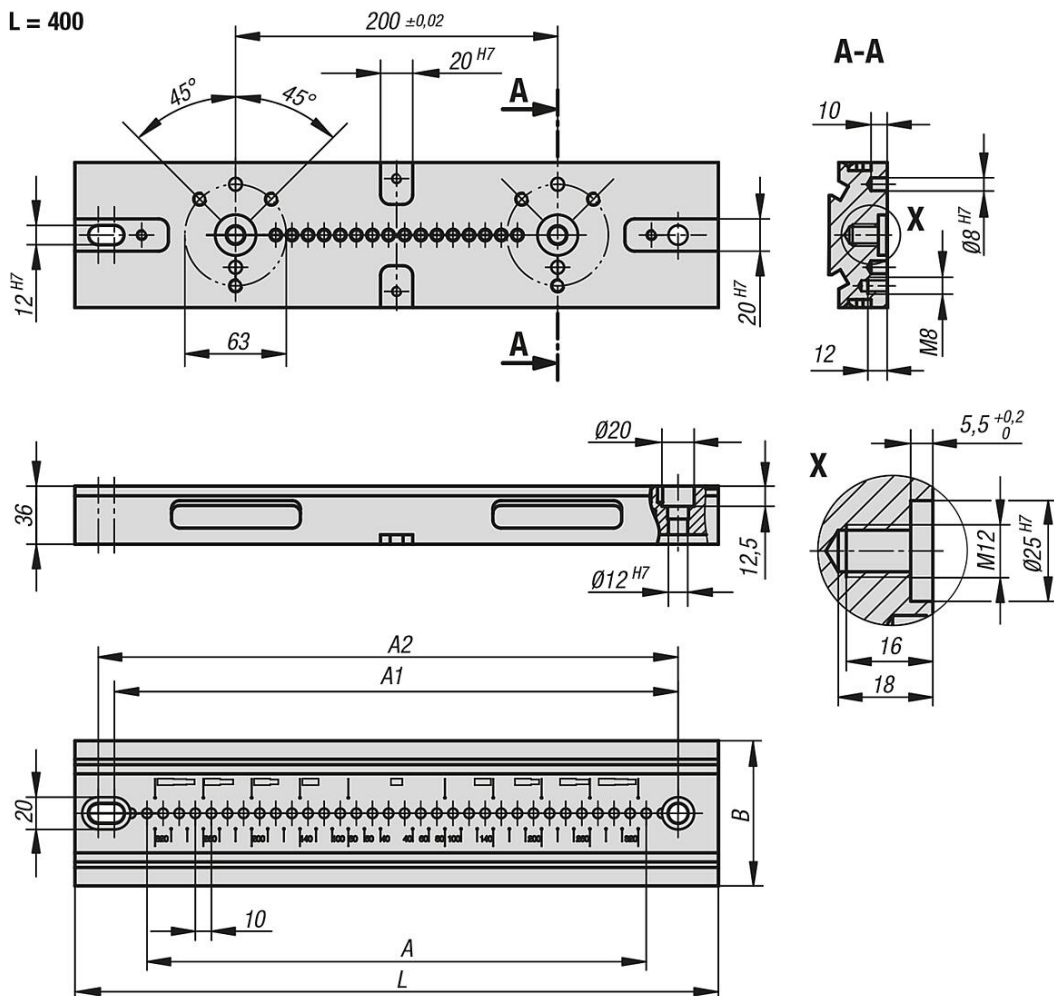
Description

Material:
Steel.

Version:
Black oxidised.
Function faces ground.

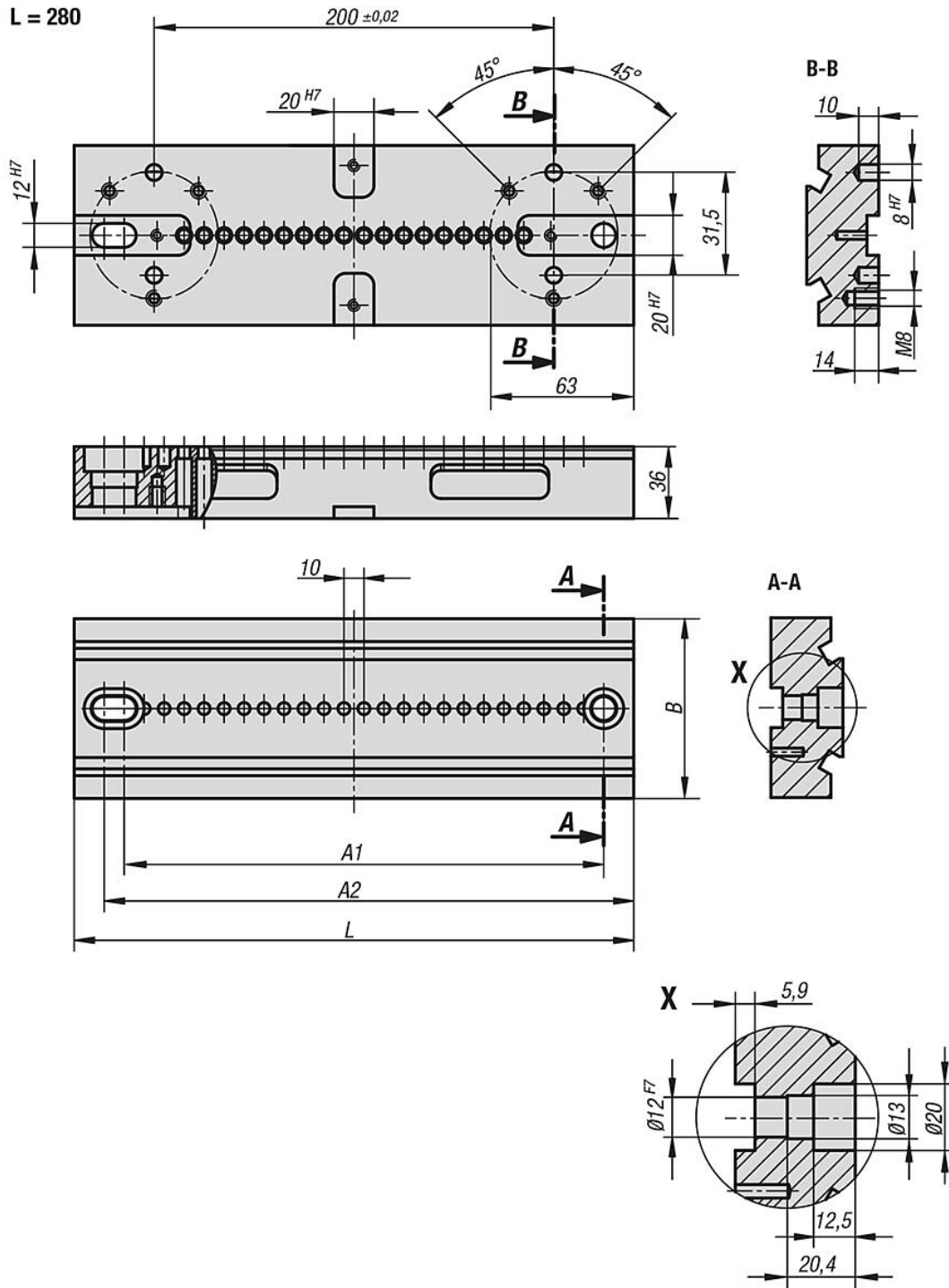
Note:
Base plates with locating slots on the underside for easy alignment of the plate on the machine table.
Securing via grid holes 12F7 for 40 mm and 50 mm grid spacing possible.
Lateral recesses provided for separate clamping means.

Drawings



Base plates 5-axis clamping system compact

Drawings



Overview of items

Base plates, 5-axis clamping system compact

Order No.	A	A1	A2	B	L	Suitable shoulder screw	weight kg
K0994.090280	20x10	240	250	90	280	K0815.12055	6,14
K0994.090400	31x10	350	360	90	400	K0815.12055	8,58
K0994.125280	20x10	240	250	125	280	K0815.12055	8,86

Base plates 5-axis clamping system compact

Overview of items

Order No.	A	A1	A2	B	L	Suitable shoulder screw	weight kg
K0994.125400	31x10	350	360	125	400	K0815.12055	12,24