

Prism Insert

Item description/product images

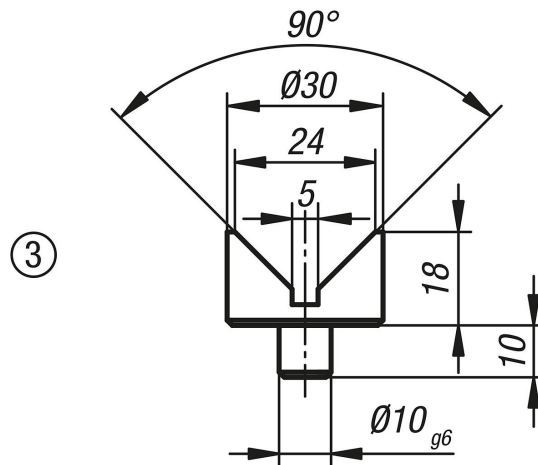


Description

Material:
Carbon steel.

Version:
Tempered to 1100-1200 N/mm², black oxidised.

Drawings



Overview of items

Order No.	Version
K0826.03	Prism insert