

Square nuts DIN 557

Item description/product images



Description

Material:

Steel, stainless steel A2 or stainless steel A4.

Version:

Steel grade 11H, bright (black) or electro zinc-plated.

Stainless steel A2, bright.

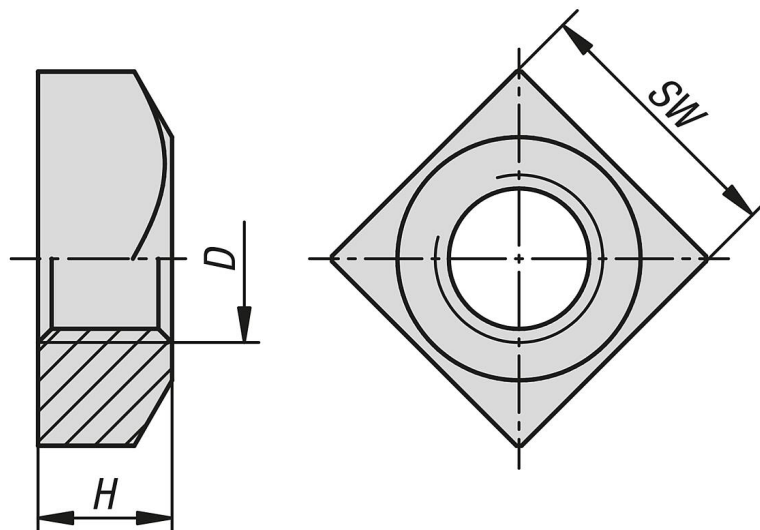
Stainless steel A4, bright.

Note:

DIN 557 square nuts class C

Square nuts are often used as insert nuts in injection-moulded parts, or they are slotted into housing profiles (aluminium extruded sections) to be used as a slot nut for screwing on other components. Square nuts also form the basis for cage nuts.. Square nuts provide improved rotation lock compared to conventional hex nuts.

Drawings



Overview of items

Square nuts DIN 557

Order No.	Main material	Surface finish body	D	H	SW
K2314.05	steel	bright (black)	M5	4	8
K2314.06	steel	bright (black)	M6	5	10
K2314.08	steel	bright (black)	M8	6,5	13
K2314.10	steel	bright (black)	M10	8	17
K2314.12	steel	bright (black)	M12	10	19
K2314.16	steel	bright (black)	M16	13	24
K2314.205	steel	galvanised	M5	4	8
K2314.206	steel	galvanised	M6	5	10
K2314.208	steel	galvanised	M8	6,5	13
K2314.210	steel	galvanised	M10	8	17
K2314.212	steel	galvanised	M12	10	19

Overview of items

Order No.	Main material	Surface finish body	D	H	SW
K2314.216	steel	galvanised	M16	13	24
K2314.105	stainless steel A2	bright	M5	4	8
K2314.106	stainless steel A2	bright	M6	5	10
K2314.108	stainless steel A2	bright	M8	6,5	13
K2314.110	stainless steel A2	bright	M10	8	17
K2314.112	stainless steel A2	bright	M12	10	19
K2314.116	stainless steel A2	bright	M16	13	24
K2314.605	stainless steel A4	bright	M5	4	8
K2314.606	stainless steel A4	bright	M6	5	10
K2314.608	stainless steel A4	bright	M8	6,5	13
K2314.610	stainless steel A4	bright	M10	8	17
K2314.612	stainless steel A4	bright	M12	10	19
K2314.616	stainless steel A4	bright	M16	13	24