

## Tube clamps, right-angle, plastic

### Item description/product images



### Description

#### Material:

Thermoplastic.  
DIN 7984 screws and DIN 985 nuts steel.

#### Version:

Black.  
Screws and nuts electro zinc-plated.

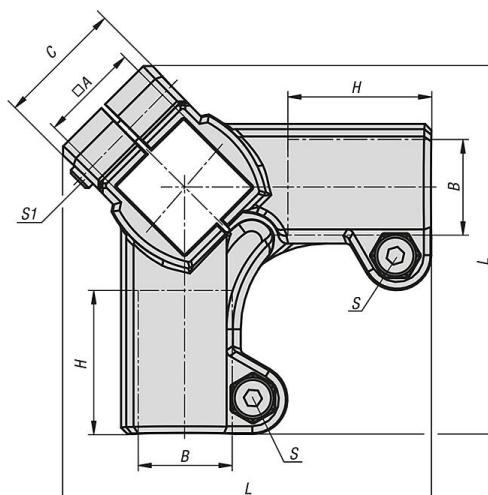
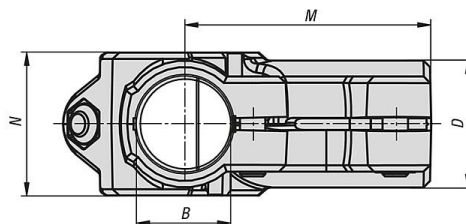
#### Note:

The right-angle tube connector can be used to clamp 30 mm square and round tubes. Use reducer sleeves K0491 or K0492 if smaller tubes are to be clamped or a conversion from round to square tubes "or vice versa" is required.

#### Accessory:

Round and square tubes K0493.  
Aluminium round tubes with slot K1966.  
Reducer sleeves K0491 and K0492.  
Plastic clamping lever with extended collar K1701.

### Drawings



### Overview of items

## Tube clamps, right-angle, plastic

### Overview of items

---

#### Tube clamps, right-angle, plastic

| Order No. | Item       | A    | B    | H  | D  | L   | C  | N  | M  | S     | S1    |
|-----------|------------|------|------|----|----|-----|----|----|----|-------|-------|
| K0476.30  | Tube Clamp | 30,1 | 30,3 | 45 | 40 | 116 | 40 | 45 | 78 | M8x25 | M8X35 |