

## Sealing plug sleeve stainless steel, ball steel

### Item description/product images



### Description

#### Product description:

When manufacturing a hydraulic or pneumatic aggregate, auxiliary holes are needed for the production process, e.g. so that all the channels required for the respective application can be precisely drilled into the workpiece. These auxiliary holes must be absolutely tightly sealed again and be able to withstand extremely high pressure so that the component can function properly later on.

#### Material:

Sleeve: stainless steel 1.4305.

Ball: ball-bearing steel.

#### Version:

Sleeve: bright.

Ball: tempered.

#### Note:

Sealing plugs are used to seal holes in fluid technology - e.g. auxiliary holes in hydraulic units - quickly, securely and cost-effectively.

These seals have a serrated sleeve that expands when the ball is pressed in, expanding the component until the bore is sealed and anchoring itself in the base material. This creates a tight metallic seal that can withstand the highest pressure.

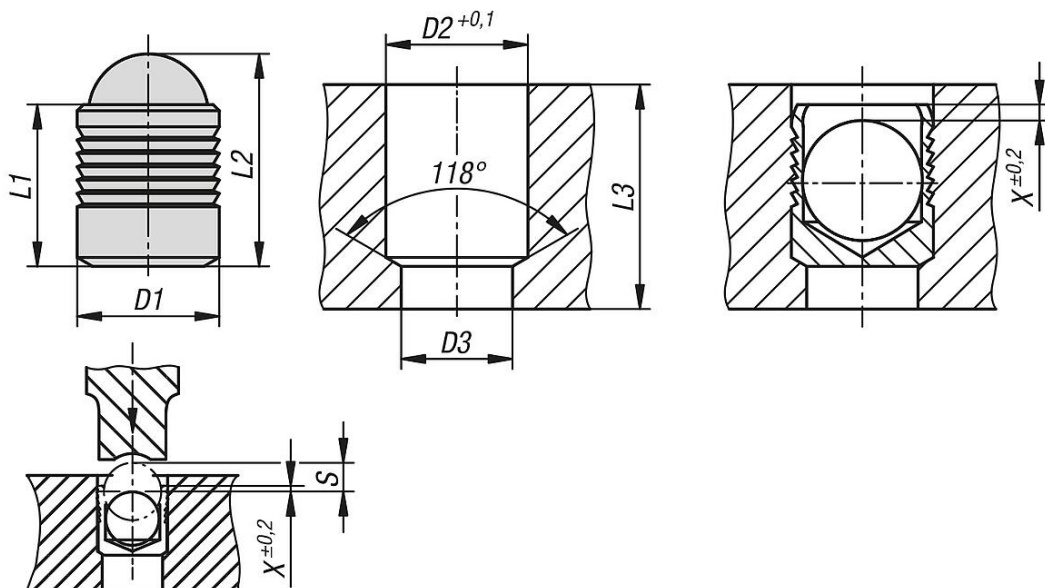
Suitable for base materials with low to medium hardness.

They are usually installed manually using an insertion pin.

#### Accessory:

Insertion pin K2321.

### Drawings



## Sealing plug sleeve stainless steel, ball steel

### Overview of items

#### Sealing plug sleeve stainless steel, ball steel

Order No.	D1	D2	D3 max.	L1	L2	L3 min.	S	X
K2319.03021	3	3	2,2	3,6	4,6	3,4	1,2	0,4
K2319.04021	4	4	3,3	4	5,2	3,8	1,5	0,2
K2319.05021	5	5	4,3	5,5	7,1	5,3	2	0,4
K2319.06021	6	6	5,3	6,5	8,7	6,3	2,5	0,4
K2319.07021	7	7	6,4	7,5	10,2	7,3	3	0,4
K2319.08021	8	8	7,4	8,5	11,6	8,3	3,5	0,3
K2319.09021	9	9	8,4	10	13,6	9,8	4	0,4
K2319.10021	10	10	9,4	11	15,2	10,8	4,5	0,4
K2319.12021	12	12	10,6	13	17,9	12,8	5,5	0,4
K2319.14021	14	14	12,7	15	20,6	14,5	6,35	0,4
K2319.16021	16	16	14,7	17	23,4	16,5	7	0,6
K2319.18021	18	18	16,7	19	26,4	18,5	8	0,6
K2319.20021	20	20	18,7	22	30,1	21,5	9	0,8
K2319.22021	22	22	20,7	25	34	24,5	10	0,8