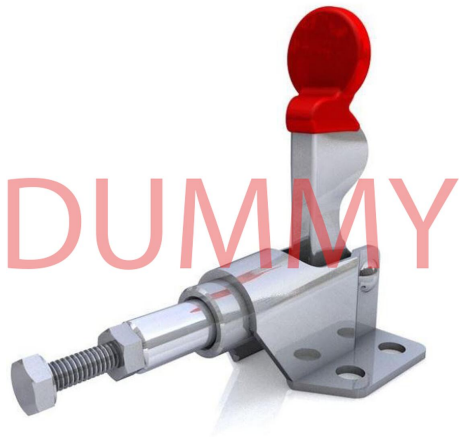


Mini push-pull toggle clamp with mounting bracket

Item description/product images



Description

Material:

Steel or stainless steel.

Version:

Electro zinc-plated steel.

Bright stainless steel.

Plastic handle, oil-resistant.

Note:

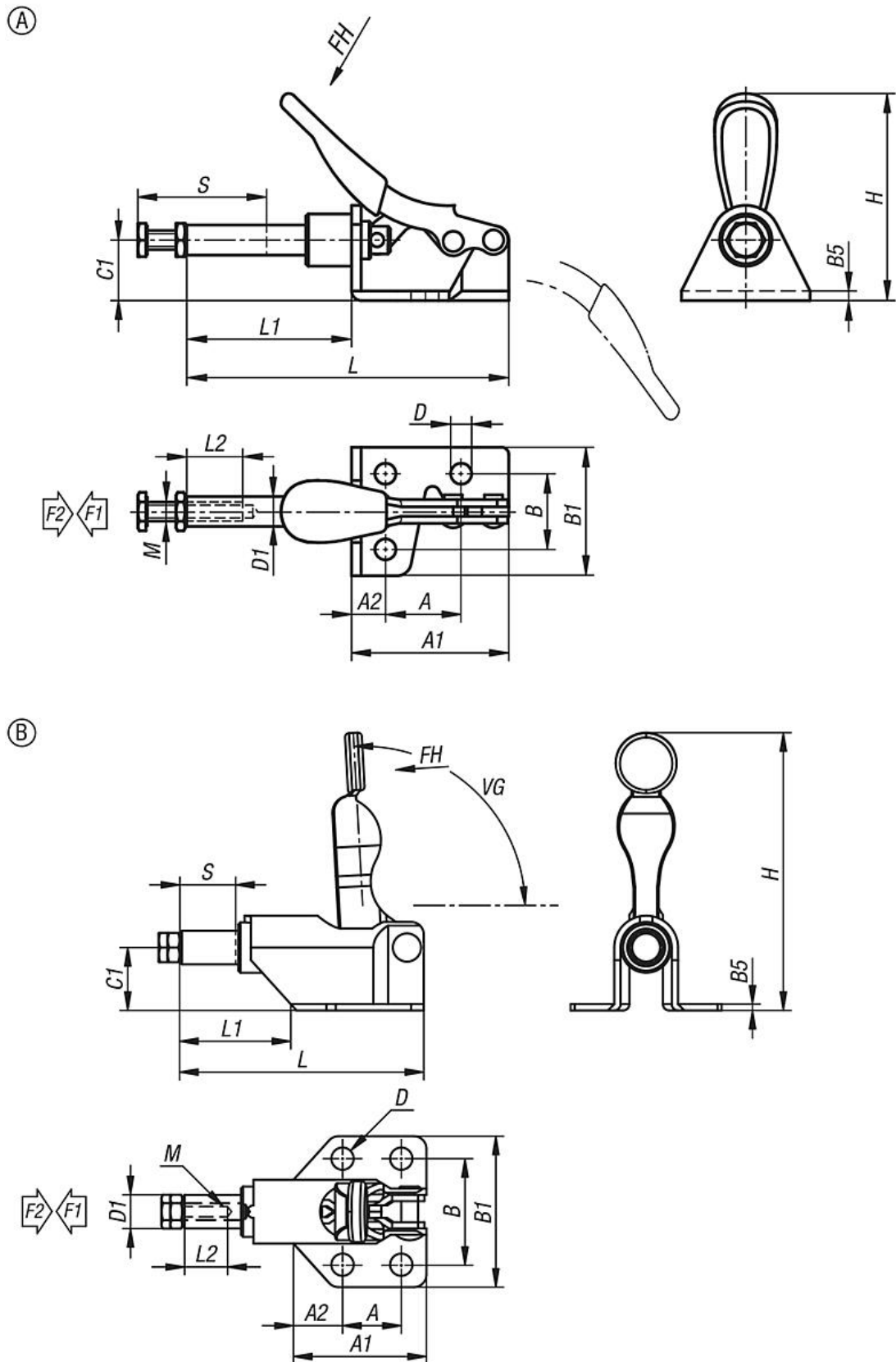
The clamps lock in the open and closed handle positions.

They can be used for thrust or tractive clamping.

Version K1545.00500 has a nylon thrust spindle.

Mini push-pull toggle clamp with mounting bracket

Drawings



Overview of items

Mini push-pull toggle clamp with mounting bracket

Overview of items

Push-Pull Mini-Clamp with mounting bracket

Order No.	Form	Main material	A	A1	A2	B	B1	B5	C1	D	D1	H	Travel S	L	L1	L2	M	Opening angle of handle	Retaining force F2 N	Hand force FH N	Clamping force F1 N
K1545.00500	A	steel	15,9	33	7,1	15,9	27	2	12,7	4,4	6,3	43,5	17	67,9	34,9	12	M4x20	190°	500	80	500
K1545.10500	A	stainless steel	15,9	33	7,1	15,9	27	2	12,7	4,4	6,3	43,5	17	67,9	34,9	12	M4x20	190°	500	80	500
K1545.005001	B	steel	14	31,7	11,7	25,3	36	1,5	15	5,3	8	66	13,3	58,1	26,4	15	M04X15	93°	500	40	400