

## Round grippers, form F

### Item description/product images



### Description

#### Material, version:

Form F tool steel, hardened, black oxide.

#### Note:

Grippers and inserts are ideal for use in clamping arms, gripping systems, clamping fixtures, clamping jaws and self-aligning pads. Grippers transfer very high torque values and above average holding forces, even on hard materials and surface irregularities.

Grippers and inserts can be fitted in the following self-aligning pads:

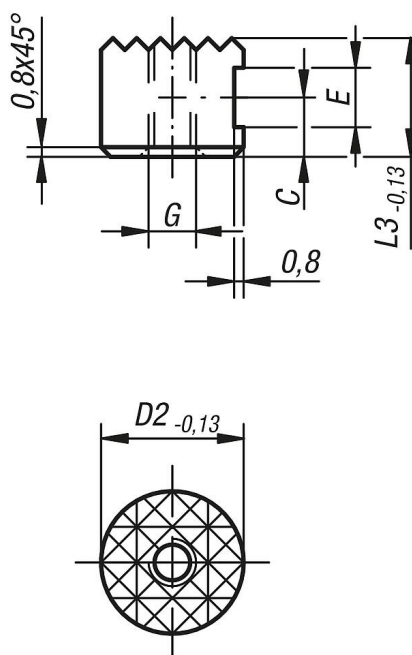
Order No. K0285.117X022 up to K0285.936X036

Order No. K0289.110X015 up to K0289.924X100

Order No. K0291.120X030 up to K0291.924X080

### Drawings

Form F  
diamond grip insert



### Overview of items

Order No.	G	D2	L3	Form	C	E
K0385.1010	M5	10	10	F	4,5	4,75
K0385.1012	M5	10	12	F	6	4,75
K0385.1210	M5	12	10	F	4,5	4,75
K0385.1212	M5	12	12	F	6	4,75
K0385.1610	M6	16	10	F	4,5	4,75
K0385.1612	M6	16	12	F	6	4,75
K0385.2010	M6	20	10	F	4,5	4,75
K0385.2012	M6	20	12	F	6	4,75
K0385.2510	M6	25	10	F	4,5	4,75
K0385.2512	M6	25	12	F	6	4,75

