

Quarter-turn locks, stainless steel, long version

Item description/product images



Description

Material:

Housing, stainless steel 1.4305.

Actuation and fastening nut, stainless steel 1.4404.

Version:

Bright.

Note:

The quarter turn lock can be installed pre-assembled. For right or left use. Water and dust protected acc. to IP65 from DIN EN 60529.

Please order required tongue version separately. Every tongue can be combined with every housing.

Accessory:

Key K0535.

Tongue for stainless steel quarter-turn lock K1340.

Drawing reference:

Actuation:

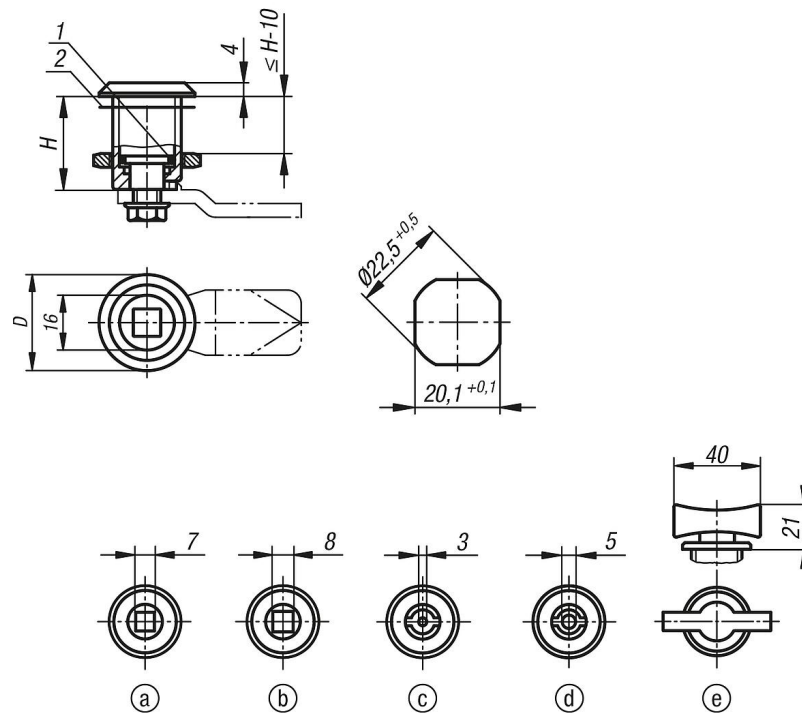
- a) square 7 mm
- b) square 8 mm
- c) double lug 3 mm
- d) double lug 5 mm
- e) T-grip
- f) triangle 7 mm

1) O-ring

2) flat seal

Quarter-turn locks, stainless steel, long version

Drawings



Overview of items

Order No.	Actuation	D	H	S max.
K1352.1730	square 7 mm	28	30	20
K1352.1860	square 8 mm	28	60	50
K1352.4330	double lug 3 mm	28	30	20
K1352.4336	double lug 3 mm	28	36	26
K1352.4340	double lug 3 mm	28	40	30
K1352.4350	double lug 3 mm	28	50	40
K1352.4360	double lug 3 mm	28	60	50
K1352.4530	double lug 5 mm	28	30	20
K1352.4536	double lug 5 mm	28	36	26
K1352.4540	double lug 5 mm	28	40	30
K1352.4550	double lug 5 mm	28	50	40
K1352.1736	square 7 mm	28	36	26
K1352.4560	double lug 5 mm	28	60	50
K1352.0030	wing grip	28	30	20
K1352.0036	wing grip	28	36	26
K1352.0040	wing grip	28	40	30
K1352.0050	wing grip	28	50	40
K1352.0060	wing grip	28	60	50
K1352.1740	square 7 mm	28	40	30
K1352.1750	square 7 mm	28	50	40
K1352.1760	square 7 mm	28	60	50
K1352.1830	square 8 mm	28	30	20
K1352.1836	square 8 mm	28	36	26
K1352.1840	square 8 mm	28	40	30
K1352.1850	square 8 mm	28	50	40
K1352.8730	Triangle 7 mm	28	30	20
K1352.8736	Triangle 7 mm	28	36	26
K1352.8740	Triangle 7 mm	28	40	30
K1352.8750	Triangle 7 mm	28	50	40
K1352.8760	Triangle 7 mm	28	60	50

