

## Quarter-turn locks, zinc

### Item description/product images



### Description

**Material:**

Housing, actuator and nut, die-cast zinc or PA6 GFR 30 plastic.  
Flat seal rubber.

**Version:**

Housing, actuator and nut chrome-plated or black.

**Note:**

Quarter-turn lock with spring-loaded tongue. Right or left deployment. The lock can be installed pre-assembled. The fastening nut is an earthing nut with teeth one side.

Vibration-proof (except plastic version), a catch prevents independent opening.  
Water and dust tight according to IP65.

**Accessory:**

Key K0535.

Tongue for steel quarter-turn lock K0523.

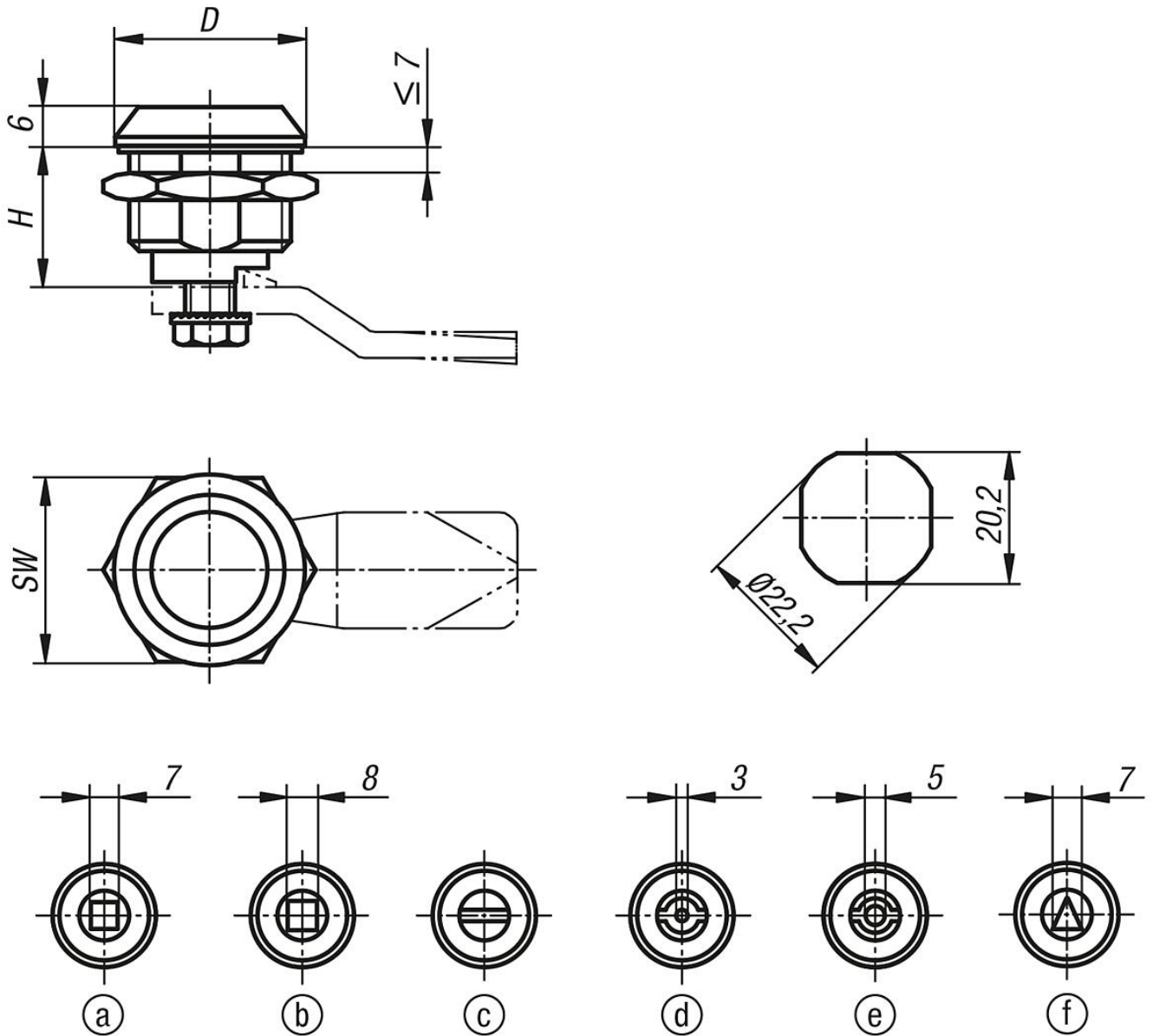
**Drawing reference:**

Actuation:

- a) square 7 mm
- b) square 8 mm
- c) slit
- d) double lug 3 mm
- e) double lug 5 mm
- f) triangle 7 mm

Quarter-turn locks, zinc

Drawings



Overview of items

Order No.	Material	D	Actuation	S max.	SW	H
K0522.17181	zinc	30	square 7 mm	7	27	18,5
K0522.18181	zinc	30	square 8 mm	7	27	18,5
K0522.18185	plastic	28	square 8 mm	7	27	18,5
K0522.20181	zinc	30	slot	7	27	18,5
K0522.20185	plastic	28	slot	7	27	18,5
K0522.43181	zinc	30	double lug 3 mm	7	27	18,5
K0522.43185	plastic	28	double lug 3 mm	7	27	18,5
K0522.45181	zinc	30	double lug 5 mm	7	27	18,5
K0522.45185	plastic	28	double lug 5 mm	7	27	18,5
K0522.87181	zinc	30	Triangle 7 mm	7	27	18,5
K0522.87185	plastic	28	Triangle 7 mm	7	27	18,5

