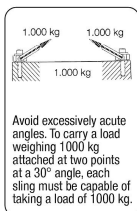
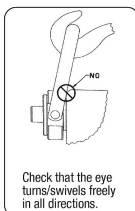


## Hoist rings

### Item description/product images



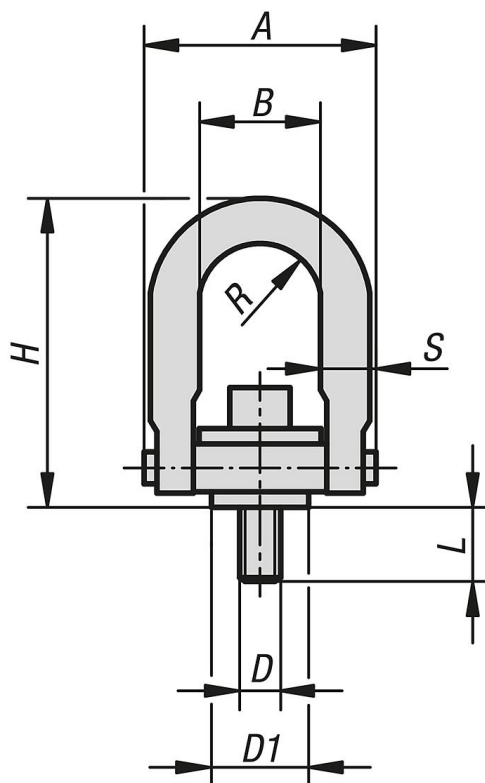
### Description

**Material:**  
Carbon steel.

**Version:**  
Black oxidised.

**Note:**  
Every hoist ring undergoes an additional visual inspection after load testing (5x safety factor).  
A safety data sheet for installation is included with every hoist ring.  
Do not use spacer washers between the bush flange and support beam.  
Tighten the screws to the stated torque and check and re-tighten regularly. After installation check if the ring swivels and turns freely in all directions.  
Lift with care! Avoid impacts!  
In no event must the permissible load stamped on the hoist ring be exceeded.

### Drawings



### Overview of items

### Hoist rings

## Hoist rings

### Overview of items

Order No.	Version	D	D1	A	B	H	L	R	S	max. permissible load kg	Tightening torque Nm
<b>K2178.08</b>	standard	M8	19	46,7	22	67,8	12,5	10,9	9,7	400	9,81
<b>K2178.10</b>	standard	M10	19	46,7	22	67,8	17,5	10,9	9,7	450	16,7
<b>K2178.12</b>	standard	M12	38,1	89,4	46	123	19	22,4	19	1050	37,3
<b>K2178.16</b>	standard	M16	38,1	89,4	46	123	29	22,4	19	1900	80,4
<b>K2178.201</b>	standard	M20	38,1	89,4	46	123	34	22,4	19	2150	133
<b>K2178.20</b>	standard	M20	58,7	130,6	70	163	32	35,6	25,4	3000	133
<b>K2178.24</b>	standard	M24	58,7	130,6	70	163	37	35,6	25,4	4200	304
<b>K2178.30</b>	standard	M30	81	165,1	90	221,7	46	44,5	31,7	7000	588
<b>K2178.36</b>	standard	M36	106,4	217,2	115	316,7	68	57,2	44,4	11000	981
<b>K2178.42</b>	standard	M42	106,4	217,2	115	316,7	68	57,2	44,4	12500	981
<b>K2178.48</b>	standard	M48	106,4	217,2	115	316,7	88	57,2	44,4	13500	981
<b>K2178.112</b>	long	M12	38,1	89,4	46	170,7	19	22,4	19	1050	37,3
<b>K2178.116</b>	long	M16	38,1	89,4	46	170,7	29	22,4	19	1900	80,4
<b>K2178.1201</b>	long	M20	38,1	89,4	46	170,7	34	22,4	19	2150	133
<b>K2178.120</b>	long	M20	58,7	130,6	70	206	32	35,6	25,4	3000	133
<b>K2178.124</b>	long	M24	58,7	130,6	70	206	37	35,6	25,4	4200	304