

Hinge pins, plastic

Item description/product images



Description

Material:

Grip PA.
Spacer PA.
Pin steel.

Version:

Grip green.
Spacer black.
Pin electro zinc-plated.

Note:

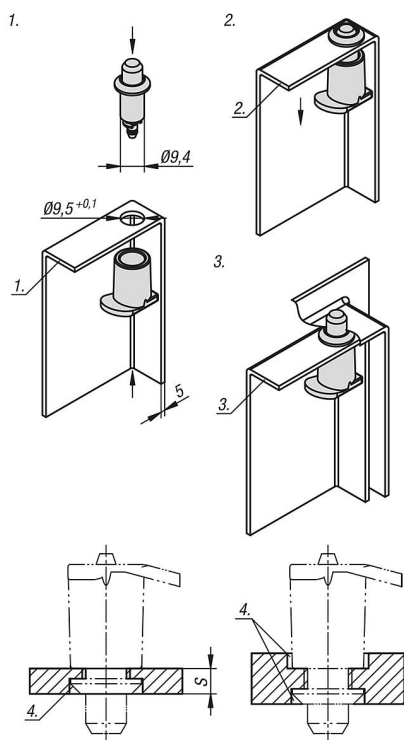
These pin hinges with spring-assisted grip are suitable for in-frame doors. The hinges are not visible to the user. They can be mounted for left or right use. The hinge opening angle is 120°.

Thanks to the spring-loaded pin, the door can be easily fitted and removed.

The pin hinges can also be used as indexing pins.

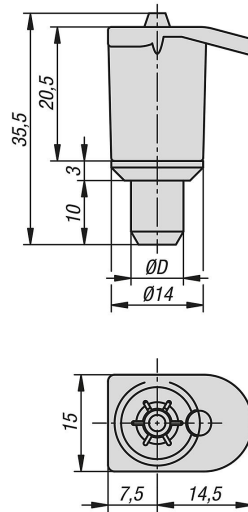
Assembly:

1. Installation is carried out without tools by pressing the locking pin into the grip.
2. Removing the door.
3. Mounting the door.
4. Info: The gap between two components can be adjusted by countersinking the installation hole. The clamping range (S) lies between 0-4 mm.



Hinge pins, plastic

Drawings



Overview of items

Hinge pins, plastic

Order No.	D
K2119.06	6
K2119.08	8