

T-slot clamps

Item description/product images



Description

Material:

Steel.

Version:

Hardened, black oxidised.

Note:

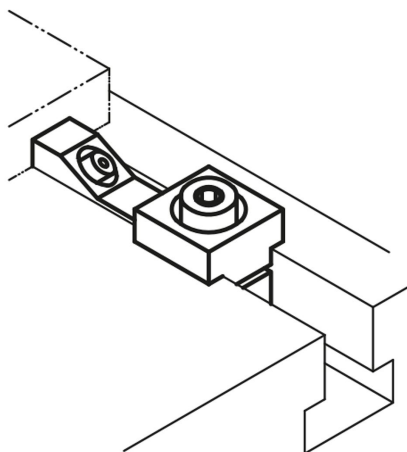
Particularly low parts can be clamped using these T-slot clamps. The wedge effect on the jaws presses the workpiece firmly and securely onto the machine table. "H1" and "H3" are per DIN 650 by maximum slot depth. To achieve lower clamping heights with minimum slot depth, the clamping piece can be ground down by dimension H3.

The clamping forces F and F1 are achieved under optimum configuration and utilisation of the maximum fastening screw tightening torque.

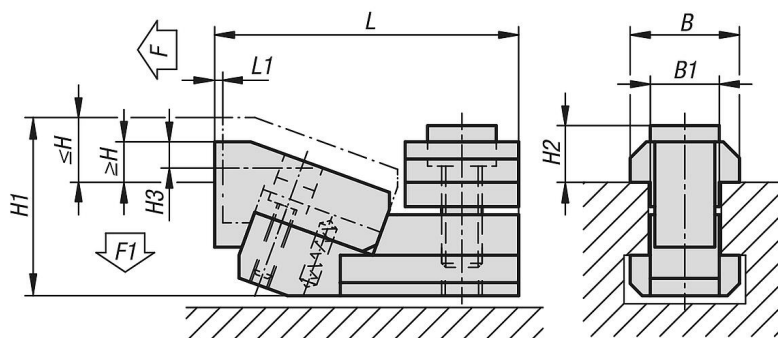
Supplied in pairs.

Supplied with:

- 2x T-slot clamps.
- 2x DIN EN ISO 4762 fastening screws.
- 2x ISO 2936 hex socket keys.



Drawings



Overview of items

T-slot clamps

Order No.	Slot width	B	B1	H min.	H max.	H1	H2	H3	L	L1	F kN	F1 kN	Packaging type
K1230.122	12	18	12	2,5	13,5	31	11	5	52	1,8	5	0,6	1 piece = 1 pair
K1230.142	14	22	14	1,5	13,5	34	11	5	55	1,8	5,5	0,7	1 piece = 1 pair
K1230.162	16	25	16	2,5	17	41	15	6	68	2,5	8	0,9	1 piece = 1 pair
K1230.182	18	28	18	1,5	16	43	15	6	71	2,5	9	1	1 piece = 1 pair
K1230.222	22	35	22	4,5	21,5	53	20	9	89	3	16	1,9	1 piece = 1 pair

