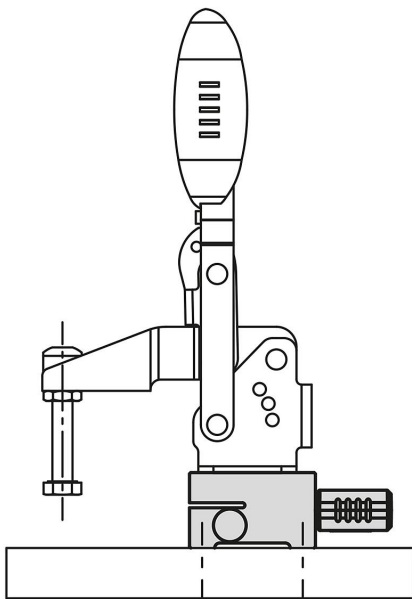
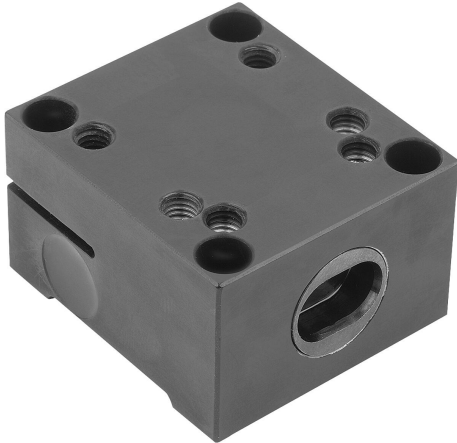


Force sensor for toggle clamps

Item description/product images



Description

Material:

Aluminium EN AW-6082
Plug housing steel.

Version:

Black anodised.

Note:

The force sensor enables the force with which a workpiece is clamped to be compared with a previously defined set value. The operating instructions describe how to adjust the setpoint. If the force sensor is equipped with an universal transmitter, the force can be recorded and processed electronically. The power supply for the force sensor is provided by the universal transmitter, which can be replaced if necessary without reconfiguration. The Universal transmitter K1831 can be connected to the force sensor via USB Type C.

Technical data:

See technical information.

Application:

The clamping process can be controlled with the aid of these force sensors.

Temperature range:

0 °C to +65 °C.

Assembly:

The force sensor is attached to the assembly table using DIN 12 screws through hole D1. Only then can the toggle clamp be attached to the force sensor using screws through the holes D2.

Accessory:

Vertical toggle clamp K1255.
Horizontal toggle clamp K0660.
Vertical toggle clamp K0662.
Universal transmitter K1831.
Gateway K1494.

Safety:

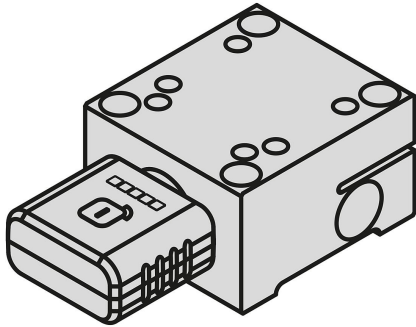
Force sensors are not suitable for the protection of personnel.

Drawing reference:

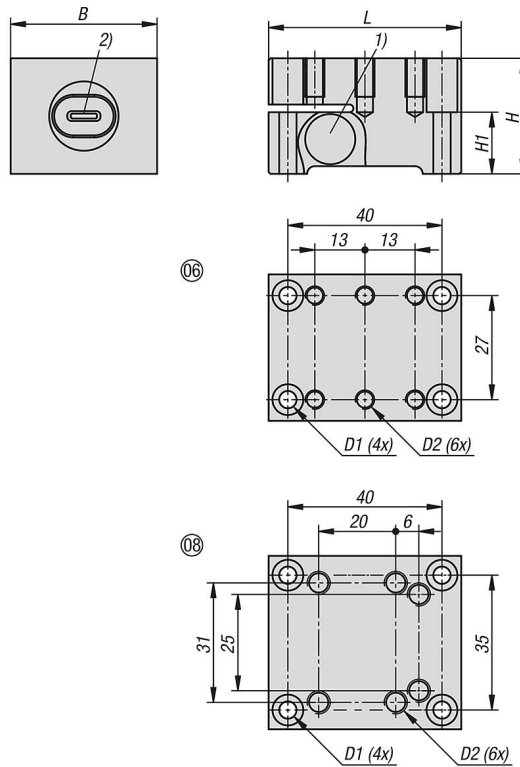
- 1) Force sensor
- 2) USB type C

Force sensor for toggle clamps

Item description/product images



Drawings



Overview of items

Force sensor for toggle clamps

Order No.	Size	B	D1 for screw to DIN 912	D2	H	H1	L
K1825.06	6	38	M4	M5	30	16	50
K1825.08	8	45	M4	M6	30	16	50

