

Wing grips “Miniwing” tapped through

Item description/product images



Description

Material:

Grip thermoplastic.

Bush steel 5.8 or stainless steel 1.4305.

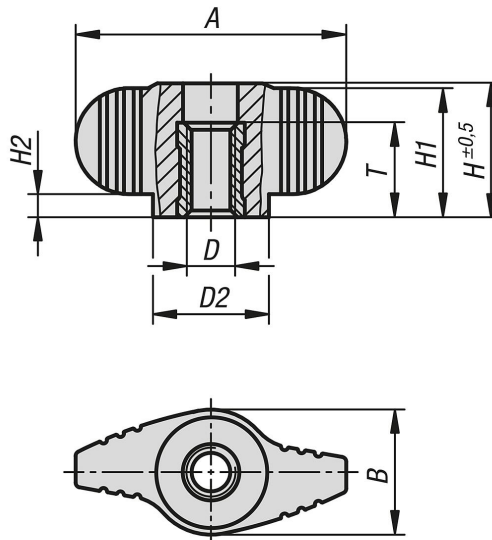
Version:

Grip black grey.

Steel trivalent blue passivated.

Stainless steel bright.

Drawings



Overview of items

Wing grips “Miniwing” with tapped through bush

Order No.	Component material	A	B	D	D2	H	H1	H2	T
K0658.1004	steel	28	13	M4	12	14,3	13,3	2,3	10
K0658.1005	steel	28	13	M5	12	14,3	13,3	2,3	10
K0658.1006	steel	28	13	M6	12	14,3	13,3	2,3	10
K0658.1806	steel	40	16	M6	14,6	19,8	19	4	14
K0658.1808	steel	40	16	M8	14,6	19,8	19	4	14
K0658.10004	stainless steel	28	13	M4	12	14,3	13,3	2,3	10
K0658.10005	stainless steel	28	13	M5	12	14,3	13,3	2,3	10
K0658.10006	stainless steel	28	13	M6	12	14,3	13,3	2,3	10
K0658.10806	stainless steel	40	16	M6	14,6	19,8	19	4	14
K0658.10808	stainless steel	40	16	M8	14,6	19,8	19	4	14

Wing grips “Miniwing” tapped through

Overview of items
