

## Wing grips "Miniwing" with external thread

Item description/product images

---



### Description

**Material:**

Thermoplastic.

Threaded pin steel 5.8 or stainless steel 1.4305.

**Version:**

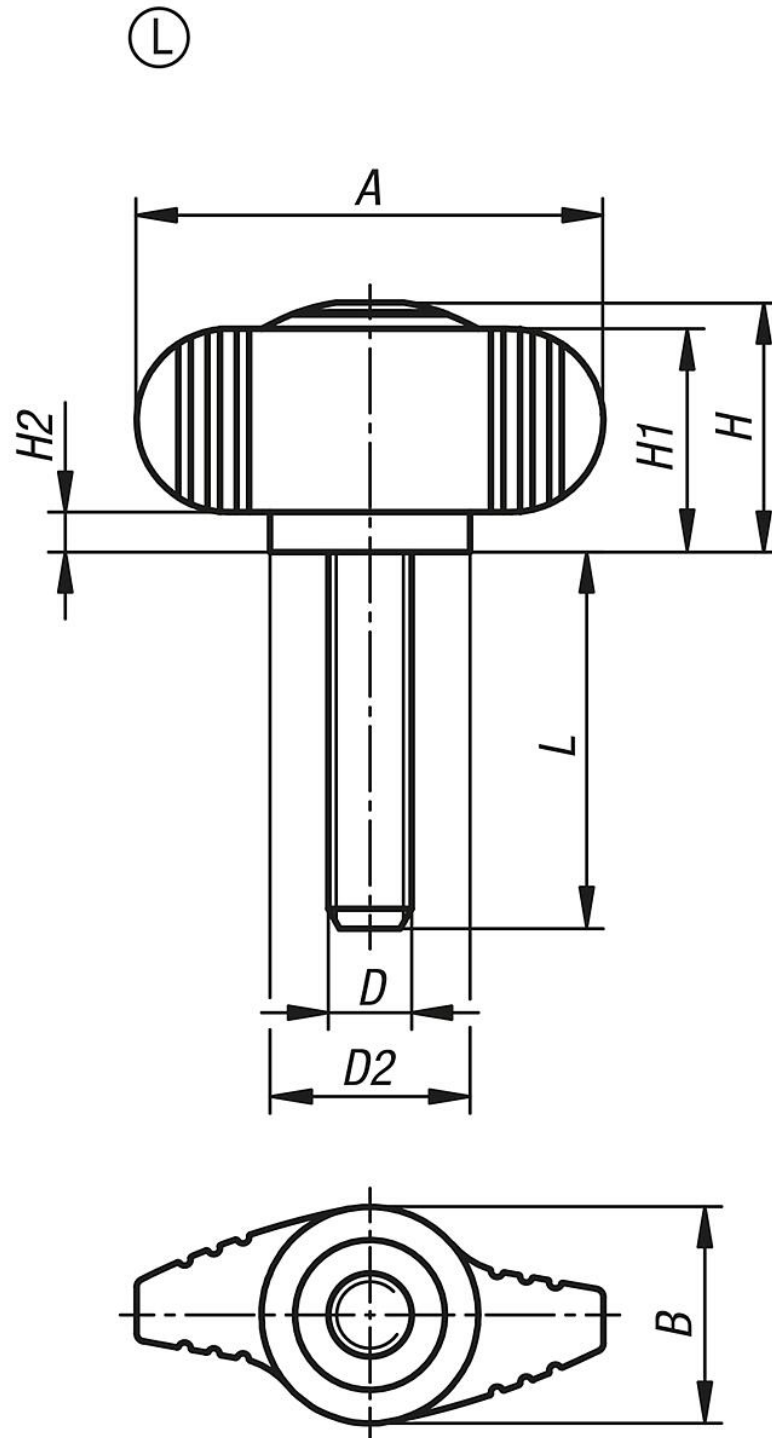
Grip black grey.

Steel trivalent blue passivated.

Stainless steel bright.

## Wing grips "Miniwing" with external thread

Drawings



## Overview of items

Order No.	Form	Component material	A	B	D	D2	H	H1	H2	L
K0274.004X8	L	steel	28	13	M4	12	15	13,3	2,3	8
K0274.005X10	L	steel	28	13	M5	12	15	13,3	2,3	10
K0274.005X15	L	steel	28	13	M5	12	15	13,3	2,3	15
K0274.005X20	L	steel	28	13	M5	12	15	13,3	2,3	20
K0274.006X10	L	steel	28	13	M6	12	15	13,3	2,3	10
K0274.006X15	L	steel	28	13	M6	12	15	13,3	2,3	15
K0274.006X20	L	steel	28	13	M6	12	15	13,3	2,3	20

## Wing grips "Miniwing" with external thread

### Overview of items

Order No.	Form	Component material	A	B	D	D2	H	H1	H2	L
K0274.006X25	L	steel	28	13	M6	12	15	13,3	2,3	25
K0274.006X30	L	steel	28	13	M6	12	15	13,3	2,3	30
K0274.008X20	L	steel	28	13	M8	12	15	13,3	2,3	20
K0274.008X25	L	steel	28	13	M8	12	15	13,3	2,3	25
K0274.008X30	L	steel	28	13	M8	12	15	13,3	2,3	30
K0274.008X40	L	steel	28	13	M8	12	15	13,3	2,3	40
K0274.806X10	L	steel	40	16	M6	14,6	21	19	4	10
K0274.806X15	L	steel	40	16	M6	14,6	21	19	4	15
K0274.806X20	L	steel	40	16	M6	14,6	21	19	4	20
K0274.806X25	L	steel	40	16	M6	14,6	21	19	4	25
K0274.806X30	L	steel	40	16	M6	14,6	21	19	4	30
K0274.808X15	L	steel	40	16	M8	14,6	21	19	4	15
K0274.808X20	L	steel	40	16	M8	14,6	21	19	4	20
K0274.808X25	L	steel	40	16	M8	14,6	21	19	4	25
K0274.808X30	L	steel	40	16	M8	14,6	21	19	4	30
K0274.808X40	L	steel	40	16	M8	14,6	21	19	4	40
K0274.0004X8	L	stainless steel	28	13	M4	12	15	13,3	2,3	8
K0274.0005X10	L	stainless steel	28	13	M5	12	15	13,3	2,3	10
K0274.0005X15	L	stainless steel	28	13	M5	12	15	13,3	2,3	15
K0274.0005X20	L	stainless steel	28	13	M5	12	15	13,3	2,3	20
K0274.0006X10	L	stainless steel	28	13	M6	12	15	13,3	2,3	10
K0274.0006X15	L	stainless steel	28	13	M6	12	15	13,3	2,3	15
K0274.0006X20	L	stainless steel	28	13	M6	12	15	13,3	2,3	20
K0274.0006X25	L	stainless steel	28	13	M6	12	15	13,3	2,3	25
K0274.0006X30	L	stainless steel	28	13	M6	12	15	13,3	2,3	30
K0274.0008X20	L	stainless steel	28	13	M8	12	15	13,3	2,3	20
K0274.0008X25	L	stainless steel	28	13	M8	12	15	13,3	2,3	25
K0274.0008X30	L	stainless steel	28	13	M8	12	15	13,3	2,3	30
K0274.0008X40	L	stainless steel	28	13	M8	12	15	13,3	2,3	40
K0274.0806X10	L	stainless steel	40	16	M6	14,6	21	19	4	10
K0274.0806X15	L	stainless steel	40	16	M6	14,6	21	19	4	15
K0274.0806X20	L	stainless steel	40	16	M6	14,6	21	19	4	20
K0274.0806X25	L	stainless steel	40	16	M6	14,6	21	19	4	25
K0274.0806X30	L	stainless steel	40	16	M6	14,6	21	19	4	30
K0274.0808X15	L	stainless steel	40	16	M8	14,6	21	19	4	15
K0274.0808X20	L	stainless steel	40	16	M8	14,6	21	19	4	20
K0274.0808X25	L	stainless steel	40	16	M8	14,6	21	19	4	25
K0274.0808X30	L	stainless steel	40	16	M8	14,6	21	19	4	30
K0274.0808X40	L	stainless steel	40	16	M8	14,6	21	19	4	40