

# Wing grips "Miniwing" with internal thread

## Item description/product images



### Description

#### Material:

Thermoplastic.

Bushes brass, steel 5.8 or stainless steel 1.4305.

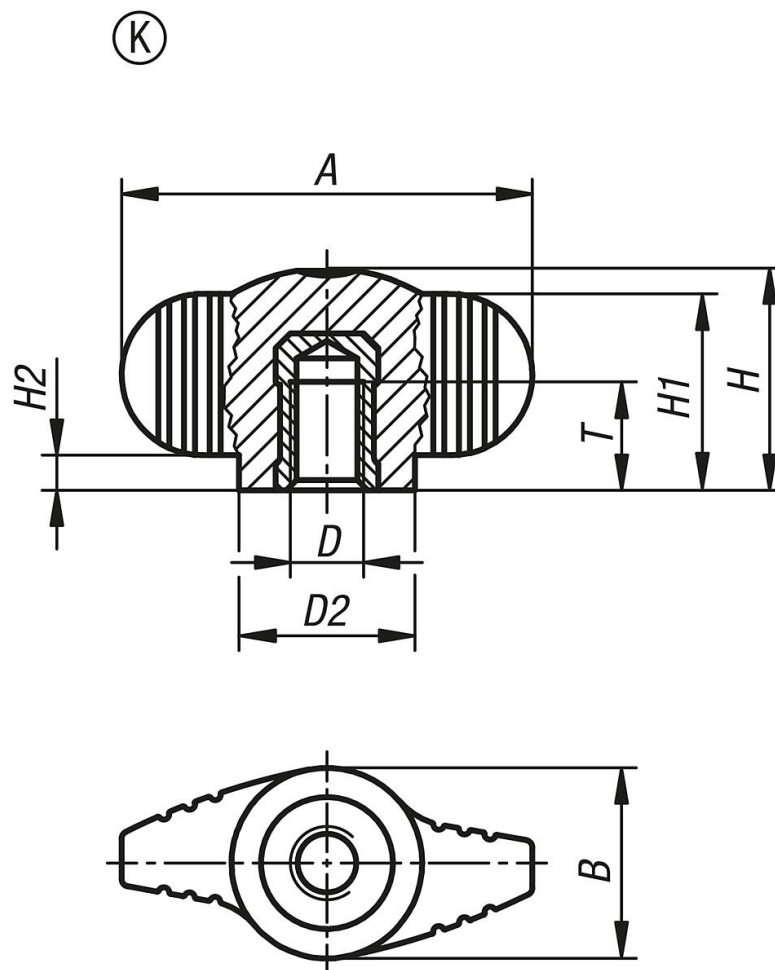
#### Version:

Grip black grey.

Steel trivalent blue passivated.

Stainless steel bright.

## Drawings



## Overview of items

Order No.	Form	Component material	A	B	D	D2	H	H1	H2	T
K0274.004	K	brass	28	13	M4	12	15	13,3	2,3	6
K0274.005	K	brass	28	13	M5	12	15	13,3	2,3	8
K0274.006	K	brass	28	13	M6	12	15	13,3	2,3	8
K0274.806	K	steel	40	16	M6	14,6	21	19	4	12
K0274.808	K	steel	40	16	M8	14,6	21	19	4	12
K0274.0004	K	stainless steel	28	13	M4	12	15	13,3	2,3	6
K0274.0005	K	stainless steel	28	13	M5	12	15	13,3	2,3	8
K0274.0006	K	stainless steel	28	13	M6	12	15	13,3	2,3	8

## Wing grips "Miniwing" with internal thread

### Overview of items

Order No.	Form	Component material	A	B	D	D2	H	H1	H2	T
K0274.0806	K	stainless steel	40	16	M6	14,6	21	19	4	12
K0274.0808	K	stainless steel	40	16	M8	14,6	21	19	4	12