

## Hinges plastic, separable, dismantlable

### Item description/product images



### Description

#### Product description:

Hinges for panel elements and aluminium profiles.

The hinge pins can be removed and refitted without tools enabling the hinge halves to be quickly separated and rejoined.

These hinges find use on hatches, covers and frames

Can be used indoors or outdoors.

#### Material:

Fibreglass reinforced thermoplastic.

Hinge pin and accessories stainless steel 1.4305.

Hinge pin steel.

#### Version:

Hinge black similar to RAL 9005.

Hinge pin bright stainless steel.

Hinge pin electro zinc-plated steel.

Accessories bright.

#### Note:

The loading values given for the hinges are non-binding reference values without consideration of safety factors and exclude any liability. The values given are for information purposes only and do not constitute a legally binding assurance of properties.

The load values have been determined under laboratory conditions. Each user must determine individually whether the hinge is suitable for the respective application.

Different materials attached to the hinge and the type of attachment used, meteorological conditions and wear can effect the calculated values.

#### Advantages:

Tool-free mounting and removal

#### On request:

Unequal leaf length combinations.

#### Supplied with:

Two hinge halves.

Selected hinge pin and/or accessories.

#### Accessory:

K0776 Locking pins with folding latch.

Pins with head ISO 2341.

Locking pins with key ring.

K1136 Cotter pin DIN EN ISO 1234.

K0367 Key ring.

#### Drawing reference:

Form A: with locking pin

Form B: with pin/head and key ring

Form C: with pin/head and cotter pin

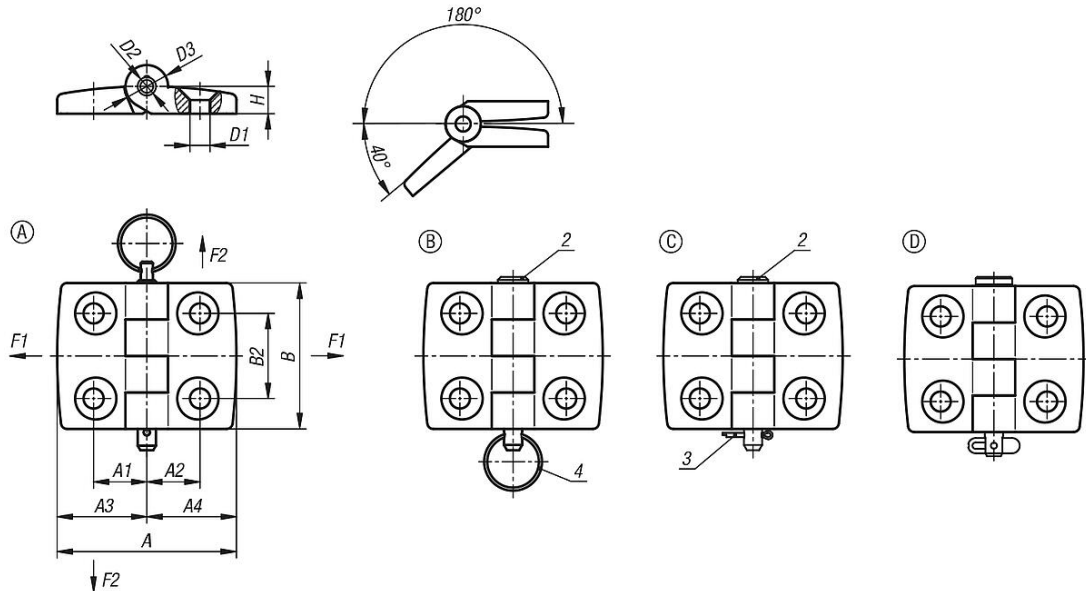
Form D: with locking pin /folding latch

# Hinges plastic, separable, dismantlable

## Item description/product images

- 2) Hinge pin
- 3) Cotter pin
- 4) Key ring

## Drawings



## Overview of items

### Hinges plastic, separable, dismantlable

Order No.	Form	Form definition	Component material	A	A1	A2	A3	A4	B	B2	D1	D2	D3	H	F1 N	F2 N
K1963.25151501	A	-	stainless steel	52	15	15	26	26	48	28	6,6	6	14	9	625	425
K1963.30181801	A	-	stainless steel	59	17,5	17,5	29,5	29,5	48	28	6,6	6	14	9	700	400
K1963.35202001	A	-	stainless steel	71	20	20	35,5	35,5	48	28	6,6	6	14	9	700	400
K1963.40232301	A	-	stainless steel	77	22,5	22,5	38,5	38,5	48	28	6,6	6	14	9	750	450
K1963.45252501	A	-	stainless steel	87	25	25	43,5	43,5	48	28	6,6	6	14	9	750	450
K1963.50282801	A	-	stainless steel	97	27,5	27,5	48,5	48,5	48	28	6,6	6	14	9	800	425
K1963.60333301	A	-	stainless steel	115	32,5	32,5	57,5	57,5	48	28	6,6	6	14	9	850	175
K1963.25151502	B	-	stainless steel	52	15	15	26	26	48	28	6,6	6	14	9	625	425
K1963.30181802	B	-	stainless steel	59	17,5	17,5	29,5	29,5	48	28	6,6	6	14	9	700	400
K1963.35202002	B	-	stainless steel	71	20	20	35,5	35,5	48	28	6,6	6	14	9	700	400
K1963.40232302	B	-	stainless steel	77	22,5	22,5	38,5	38,5	48	28	6,6	6	14	9	750	450
K1963.45252502	B	-	stainless steel	87	25	25	43,5	43,5	48	28	6,6	6	14	9	750	450
K1963.50282802	B	-	stainless steel	97	27,5	27,5	48,5	48,5	48	28	6,6	6	14	9	800	425
K1963.60333302	B	-	stainless steel	115	32,5	32,5	57,5	57,5	48	28	6,6	6	14	9	850	175
K1963.25151503	C	-	stainless steel	52	15	15	26	26	48	28	6,6	6	14	9	625	425
K1963.30181803	C	-	stainless steel	59	17,5	17,5	29,5	29,5	48	28	6,6	6	14	9	700	400
K1963.35202003	C	-	stainless steel	71	20	20	35,5	35,5	48	28	6,6	6	14	9	700	400
K1963.40232303	C	-	stainless steel	77	22,5	22,5	38,5	38,5	48	28	6,6	6	14	9	750	450
K1963.45252503	C	-	stainless steel	87	25	25	43,5	43,5	48	28	6,6	6	14	9	750	450
K1963.50282803	C	-	stainless steel	97	27,5	27,5	48,5	48,5	48	28	6,6	6	14	9	800	425
K1963.60333303	C	-	stainless steel	115	32,5	32,5	57,5	57,5	48	28	6,6	6	14	9	850	175
K1963.25151504	D	-	steel	52	15	15	26	26	48	28	6,6	6	14	9	625	425
K1963.30181804	D	-	steel	59	17,5	17,5	29,5	29,5	48	28	6,6	6	14	9	700	400
K1963.35202004	D	-	steel	71	20	20	35,5	35,5	48	28	6,6	6	14	9	700	400
K1963.40232304	D	-	steel	77	22,5	22,5	38,5	38,5	48	28	6,6	6	14	9	750	450
K1963.45252504	D	-	steel	87	25	25	43,5	43,5	48	28	6,6	6	14	9	750	450

## Hinges plastic, separable, dismountable

### Overview of items

Order No.	Form	Form definition	Component material	A	A1	A2	A3	A4	B	B2	D1	D2	D3	H	F1 N	F2 N
K1963.50282804	D	-	steel	97	27,5	27,5	48,5	48,5	48	28	6,6	6	14	9	800	425
K1963.60333304	D	-	steel	115	32,5	32,5	57,5	57,5	48	28	6,6	6	14	9	850	175