

Clamping levers internal thread, high-gloss chromed

Item description/product images



lift to
disengage



Description

Material:

Handle die-cast zinc DIN EN 12844.

Steel parts grade 5.8.

Version:

Handle high-gloss chromed.

Steel parts black oxidised.

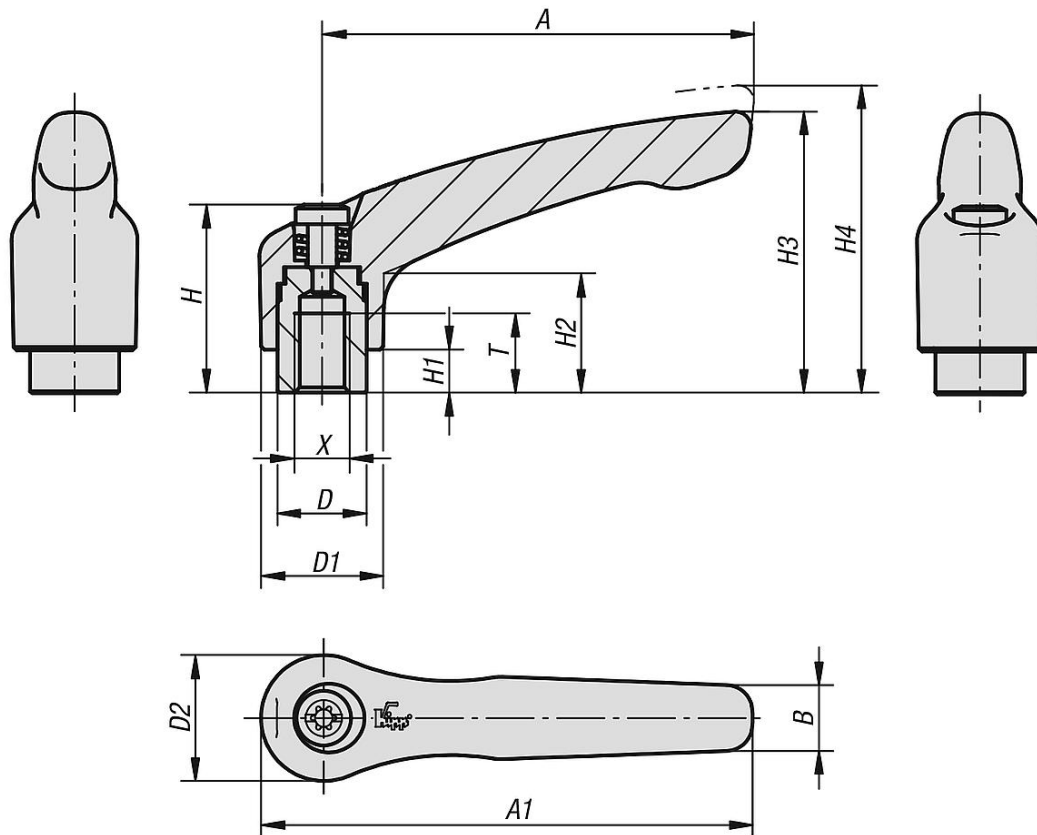
On request:

Other threads, colours and special versions.

Dimension "H1" available in other lengths at extra charge.

Clamping levers internal thread, high-gloss chromed

Drawings



Overview of items

Order No.	Main colour	Surface finish body	Size	X	T	D	D1	D2	H	H1	H2	H3	H4	A	A1	B	No. of teeth
K0122.0036	silver	high-gloss chromed	0	M3	9	10	13	14	24,5	4	14,5	30	33	30	37	7	16
K0122.0046	silver	high-gloss chromed	0	M4	9	10	13	14	24,5	4	14,5	30	33	30	37	7	16
K0122.0056	silver	high-gloss chromed	0	M5	9	10	13	14	24,5	4	14,5	30	33	30	37	7	16
K0122.1046	silver	high-gloss chromed	1	M4	9	10	13	14	24,5	4	14,5	31	34	40	47	7	16
K0122.1056	silver	high-gloss chromed	1	M5	9	10	13	14	24,5	4	14,5	31	34	40	47	7	16
K0122.1066	silver	high-gloss chromed	1	M6	9	10	13	14	24,5	4	14,5	31	34	40	47	7	16
K0122.2066	silver	high-gloss chromed	2	M6	12	13,5	18,5	19	28,5	6,5	17,5	42,5	45,5	65	74,5	9,5	20
K0122.2086	silver	high-gloss chromed	2	M8	12	13,5	18,5	19	28,5	6,5	17,5	42,5	45,5	65	74,5	9,5	20
K0122.3086	silver	high-gloss chromed	3	M8	14	16	21	22	37	10	24	54,5	58,5	80	91	11	22
K0122.3106	silver	high-gloss chromed	3	M10	14	16	21	22	37	10	24	54,5	58,5	80	91	11	22
K0122.4106	silver	high-gloss chromed	4	M10	17	19	27	27,5	43	10	27	63	67,5	95	109	13	24
K0122.4126	silver	high-gloss chromed	4	M12	17	19	27	27,5	43	10	27	63	67,5	95	109	13	24
K0122.5126	silver	high-gloss chromed	5	M12	23	23	31	32	49	12	31,5	73	77,5	110	126	15	26
K0122.5166	silver	high-gloss chromed	5	M16	23	23	31	32	49	12	31,5	73	77,5	110	126	15	26