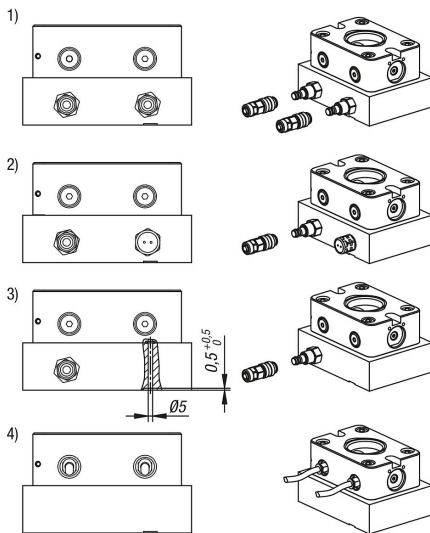


# UNILOCK clamping module EGM 110-75

## Item description/product images



## Description

### Material:

Steel.

### Version:

Contact faces case-hardened and ground.

### Note:

The UNILOCK clamp modules can be mounted in any position, with or without projection on machine tables or as part of fixtures (plates, cubes, towers etc). The UNILOCK clamping module EGM 110-75 can be used by narrow gauge sizes on machine tables or fixtures. Furthermore, this clamping module in combination with the pallet coupling can be installed in robot automation systems. Thus, clamping pallets in the UNILOCK zero-point clamping system can be automatically exchanged using robot automated systems. The "open/closed" position of the clamp slider can be monitored with the integrated feedback function.

The pneumatic control of the clamping modules can be carried out independently or together, thus an individual zero-point clamping system can be fabricated. The modular design allows the number of and distance between the clamp modules to be ideally adjusted to suit the clamping task. The set-up times are significantly reduced and so the running times of the machines are extended.

The high clamping forces are generated by the integrated spring package (the unit is clamped without constant air pressure).

Clamping is released pneumatically.

Even in the event of a pressure drop or fluctuations in the compressed air supply, the full traction force is maintained.

All clamping modules have a turbo function included as standard. A short air impulse at the "Turbo" air port increases the normal traction force, achieved by the springs, significantly. Consequently, the clamping modules can also be used for heavy-feed machining.

Use of the turbo function for maximum traction force is recommended.

The following clamping forces are possible with the UNILOCK clamping pin in conjunction with M10, M12, M16 fastening screws:

- Clamping force (M10) 35,000 N
- Clamping force (M12) 50,000 N
- Clamping force (M16) 75,000 N

Clamping force with DIN EN ISO 4762 -12.9 cap screws

Clamping pins may only be clamped in conjunction with a mounted interchangeable unit in the clamping module.

A consistent clamping bolt size for all clamping modules and compatibility with the 5-axis module clamping system 80 guarantees diverse combinations of application possibilities.

### Technical data:

- Traction force with Turbo from 14 kN.
- System pressure: 6 bar, lubricated air.
- Repeat accuracy  $\leq 0.005$  mm.

## UNILOCK clamping module EGM 110-75

### Item description/product images

---

- Temperature range 5° to 60° C.
- Rotation lock.

**Assembly:**

See mounting contour.

**Advantages:**

- Suitable for narrow gauge sizes.
- Clamping module for robot automate systems
- Feedback function for clamp slider position "open/closed".
- Turbo function as standard.
- Repeat accuracy  $\leq 0.005$  mm.
- Positioning via short taper..
- High traction force.
- Setup time optimisation.

**Supplied with:**

- 1x clamping module.
- 2x O-rings  $\varnothing 4 \times 1.5$  for media feed.
- 2x O-rings  $\varnothing 4 \times 1.5$  for feedback function.
- 4x fastening screws.
- 4x cover caps for fastening screws.

**Accessory:**

- UNILOCK clamping bolts K0967, K1471, K1974, K1975.
- UNILOCK protective bolts for clamping module K1010.
- Pallet couplers for UNILOCK clamping module K2046.

**Note:**

Recommended nominal hose size:

- Up to four clamping modules, hose size 6 mm.
- From five clamping modules, hose size 8 mm.

**Functional principle:**

The clamping modules can be connected either via the connections on the base plate or directly on the clamping module via the threaded port.

In order to guarantee the function of the clamping slides, the venting of the upper piston chamber must be carried out via the "Turbo" air port.

For this there are four options:

- 1) Connection and use of the turbo function in the base plate next to the "Open" port. This enables the clamping module to be additionally tensioned with a short air pulse if required. (recommended)
- 2) Simple hole in the baseplate connected to the turbo port to permit air to escape. Do not use a connection with a shut-off function to seal the hole against dirt, instead a venting screw should be used.
- 3) In the third case, the piston chamber must be vented via a bore that is connected below the baseplate via a transverse slot. This bore must join with the turbo port so that venting can take place.
- 4) If the clamping module is controlled from the side, the one vent screw must be inserted at this point.

## UNILOCK clamping module EGM 110-75

### Item description/product images

---

If the clamping module is used in a robot automated system, the clamping module is controlled via the base or lateral screw connections.

**Drawing reference:**

1) Installation contour:

Clamping module as add-on module

2) Installation contour:

Clamping module as built-in module

a) Underside hose-less port (open)

O-ring Ø4x1.5

b) Underside hose-less port (turbo)

O-ring Ø4x1.5

d) Vent

e) Underside hose-less port (clamping slide position open feedback function),

O-ring Ø4x1.5, 2 bar, 15l/min

f) Lateral connection G1/8# (actuator open)

g) Lateral connection G1/8# (turbo)

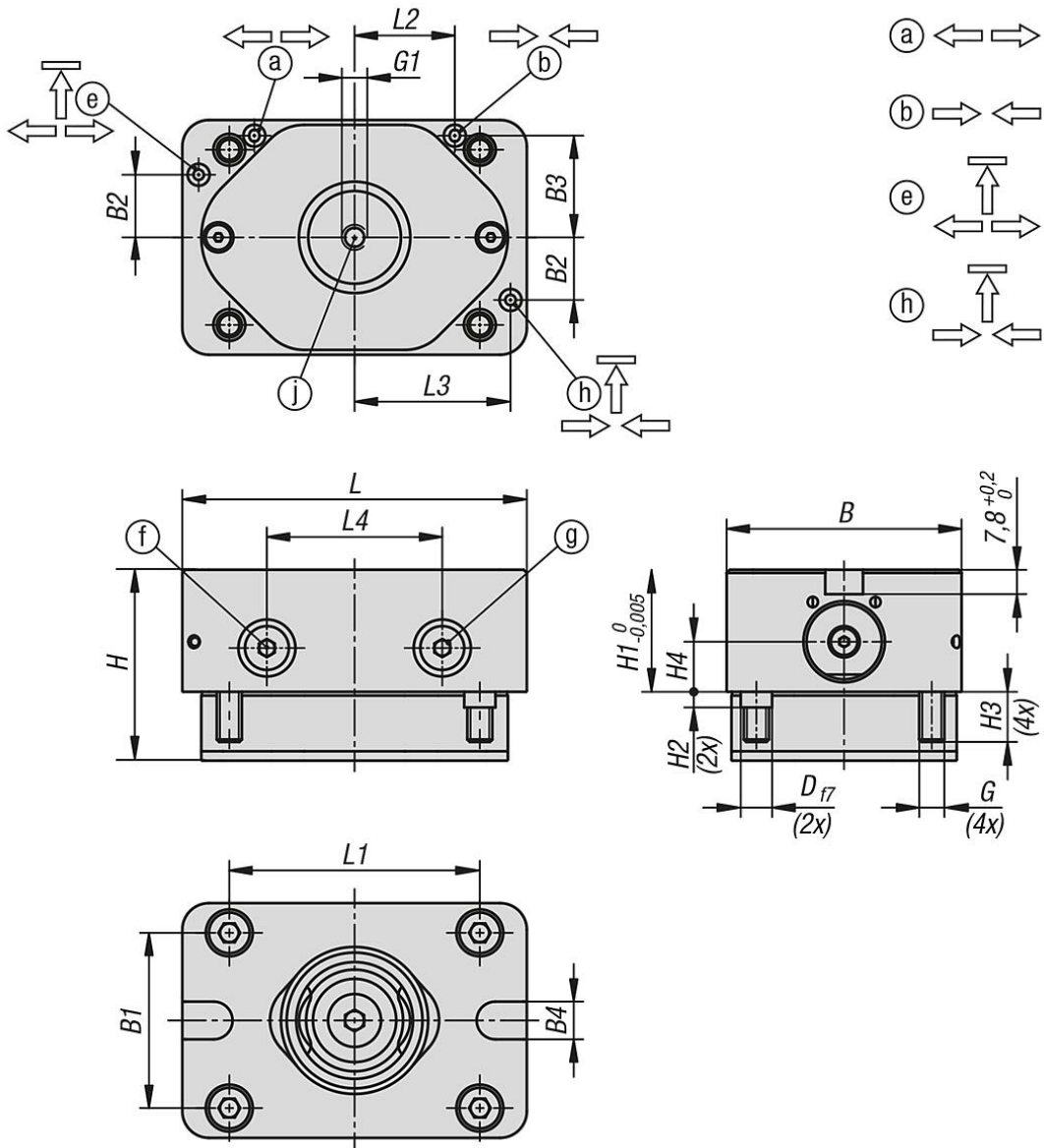
h) Underside hose-less port (clamping slide position closed feedback function)

O-ring Ø4x1.5, 2 bar, 15l/min

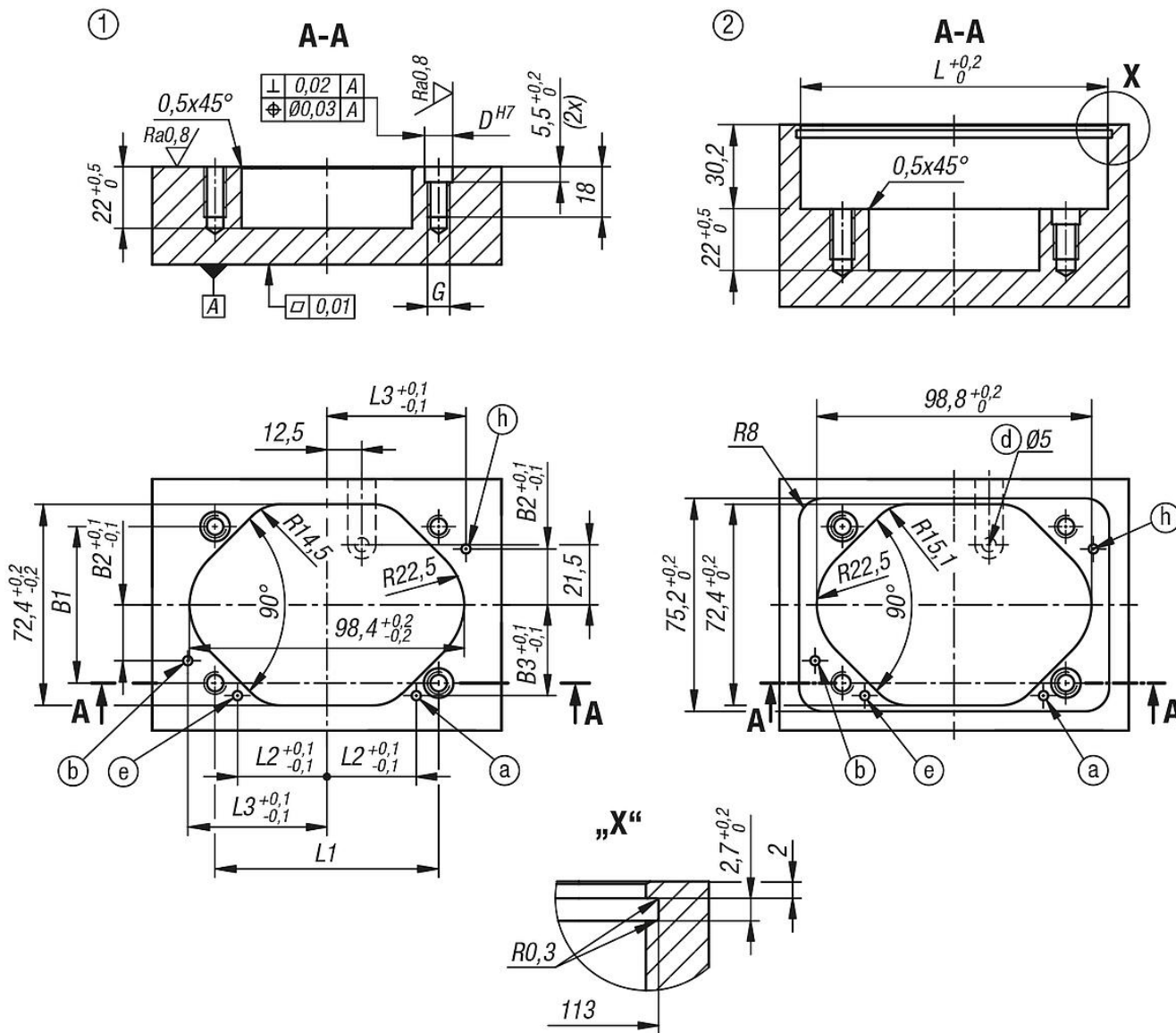
j) Underside hose-less connection (barrier air connection)

The connections for the clamping modules are labeled with arrow symbols on the circumference.

Drawings



Drawings



Overview of items

UNILOCK clamping module EGM 110-75

Order No.	Form definition	B	B1	B2	B3	B4	D	G	G1	H	H1	H2	H3	H4	L	L1	L2	L3	L4	P=Operating pressure bar	Retraction force with turbo kN
K1973.11075391	with rotation lock	75	56	20	32,5	12,05	10	M8	M7	61	39	5	16	14	110	80	32	49,8	56	6	14