

Swing clamps, heavy duty automation compatible

Item description/product images



Description

Product description:

Heavy duty toggle clamps are especially suitable for manual clamping processes with short clamping times.

The clamping arm swivels 90° at the rotation speed of the impact driver and enables rapid clamping. When this movement is completed, the linear down clamping travel is carried out.

Material:

Carbon steel.

Version:

Black oxidised.

Type of operation:

Impact driver with adjustable torque.

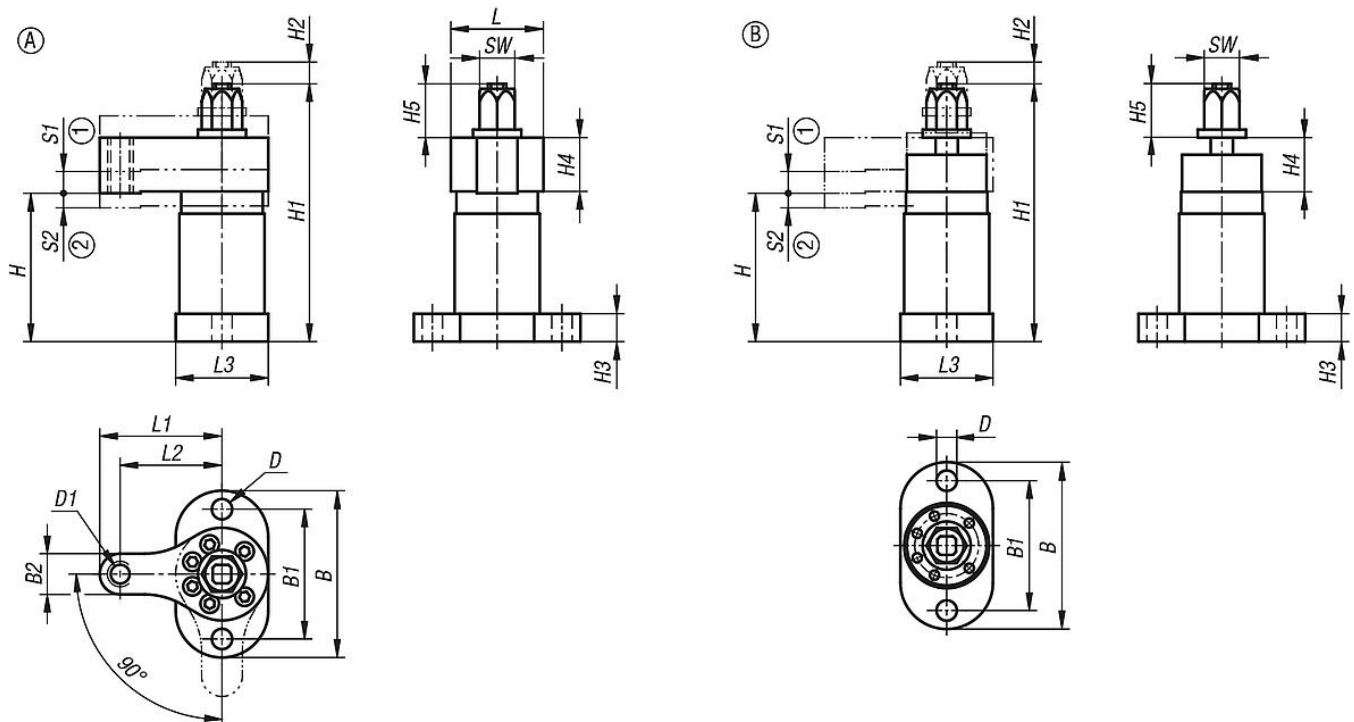
Advantages:

- Automation-compatible
- High clamping forces
- Rapid clamping

Drawing reference:

- 1) swing travel
- 2) clamp travel

Drawings



Swing clamps, heavy duty automation compatible

Overview of items

Swing clamps, heavy duty, automation compatible

Order No.	Version 1	Form	Form definition	B	B1	B2	D	D1	H	H1	H2	H3	H4	H5	L	L1	L2	L3	S1	S2	SW	Tightening torque max. Nm	Clamping force kN
K2054.1061	swivel to the right	A	with clamping arm	90	70	22	11	M12	80	139	11	15	30	29	50	66	55	50	11	10	19	28	6
K2054.1060	swivel to the right	B	without clamping arm	90	70	-	11	-	80	139	11	15	30	29	-	-	-	50	11	10	19	-	-